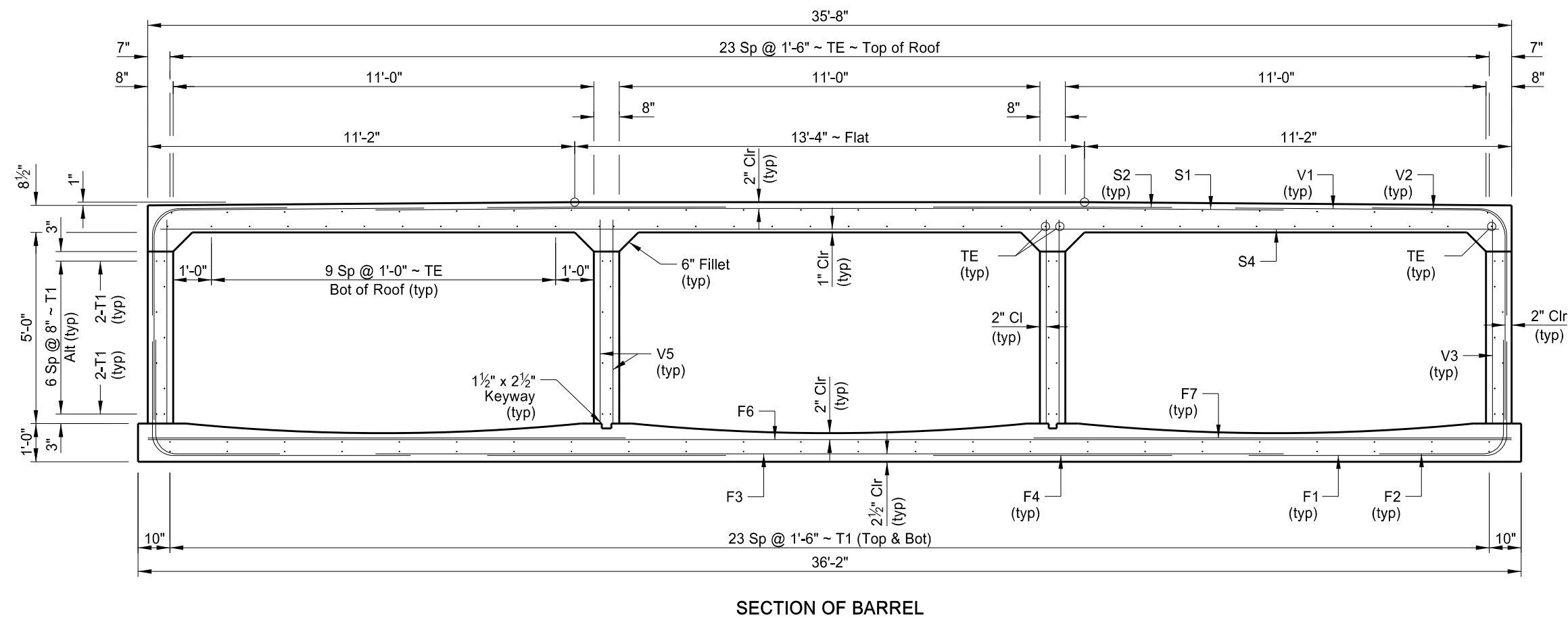
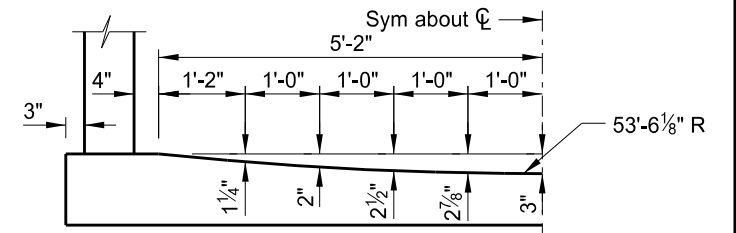
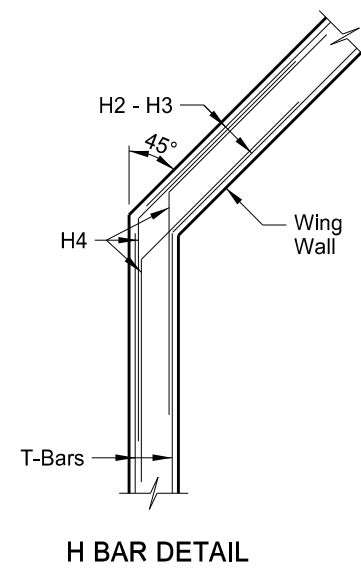
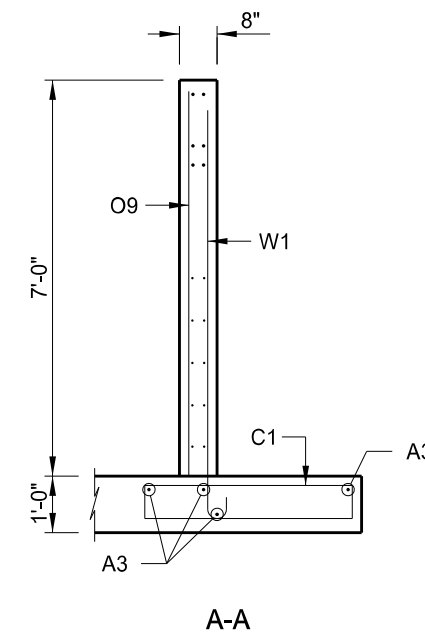
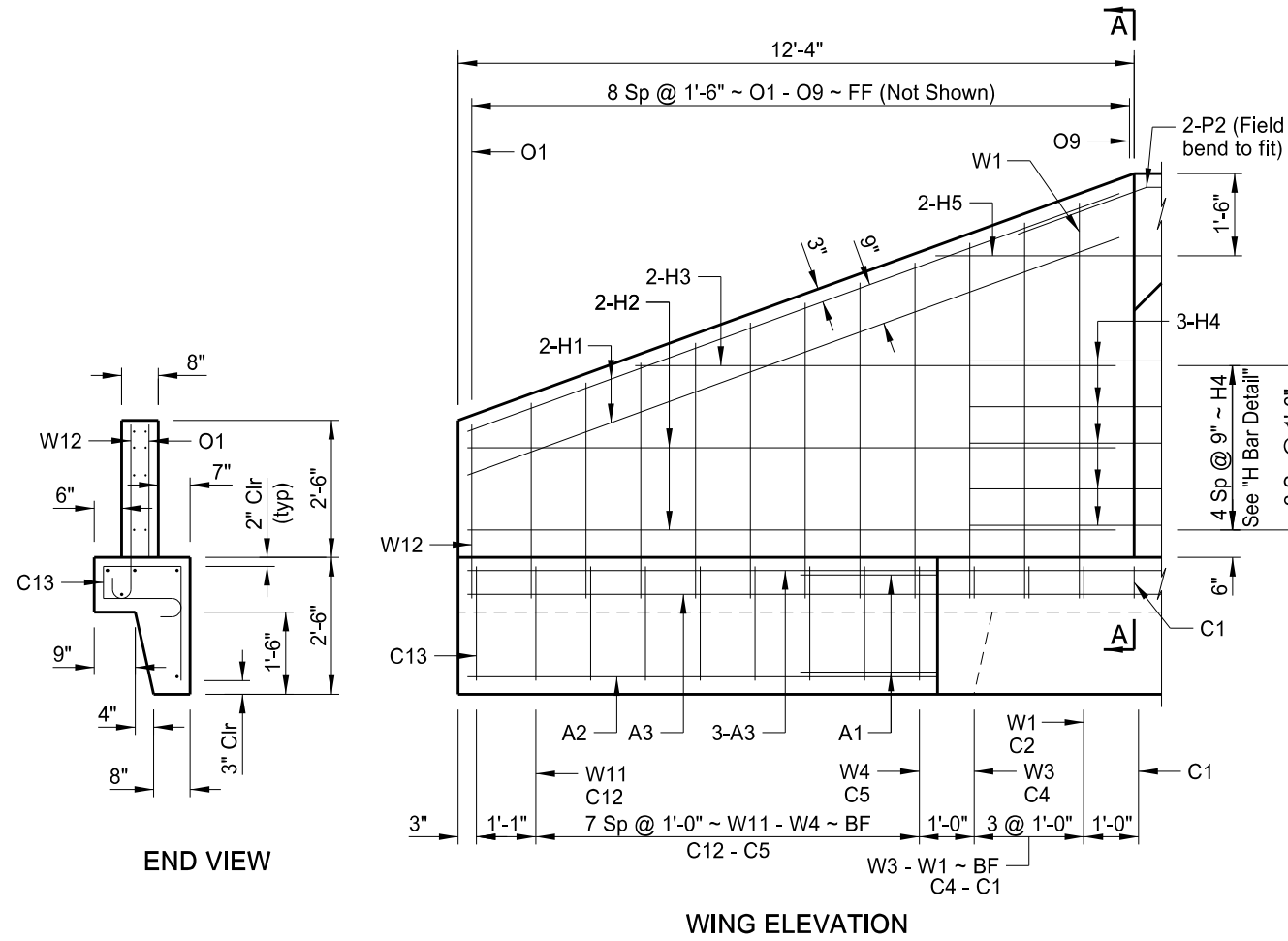


STATE	PROJECT NUMBER	SECTION NO.	SHEET NO.
ND	project number	170	4



NOMENCLATURE:
FF = FRONT FACE
BF = BACK FACE

This drawing is preliminary and not for construction or implementation purposes.

LOCATION
BARREL SECTION & WING DETAILS