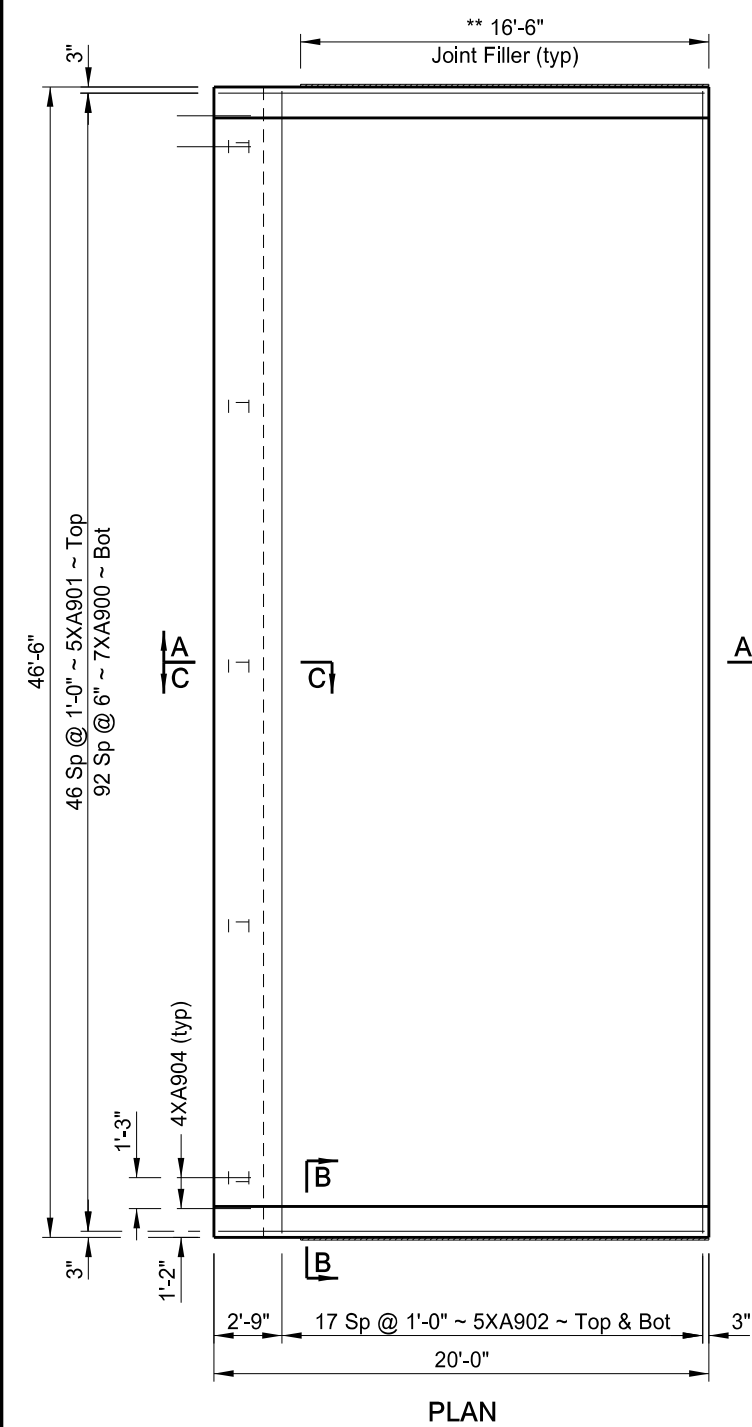
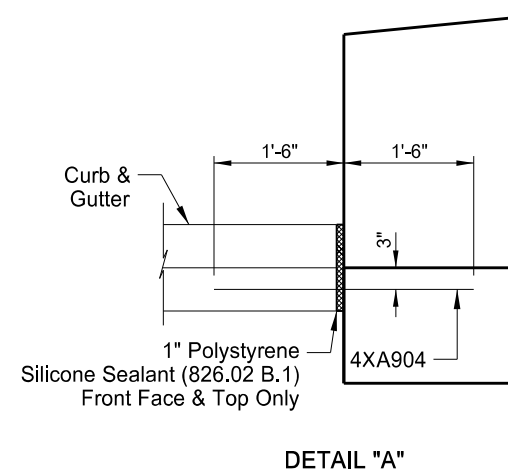
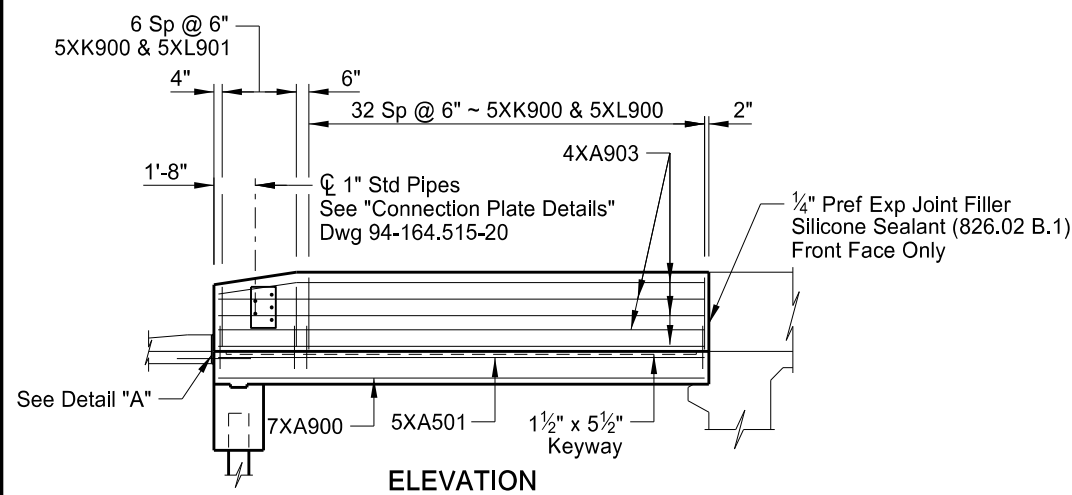
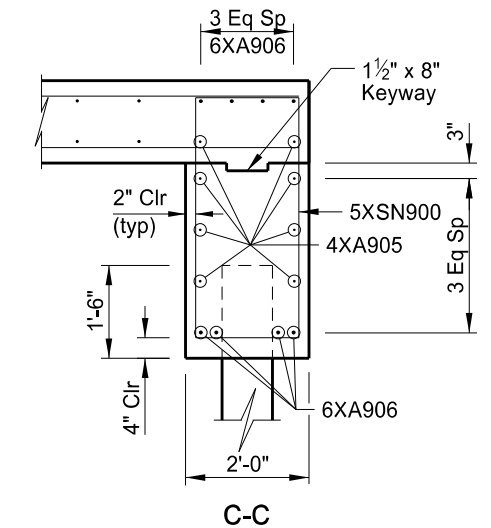
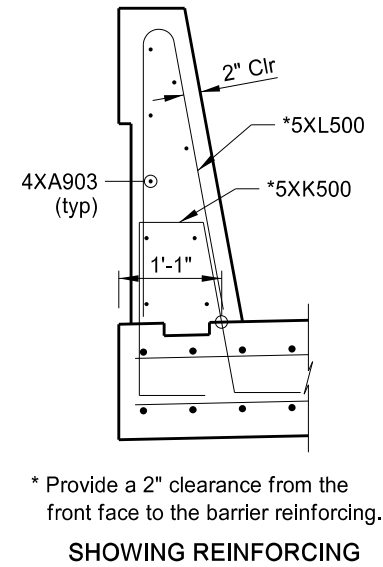
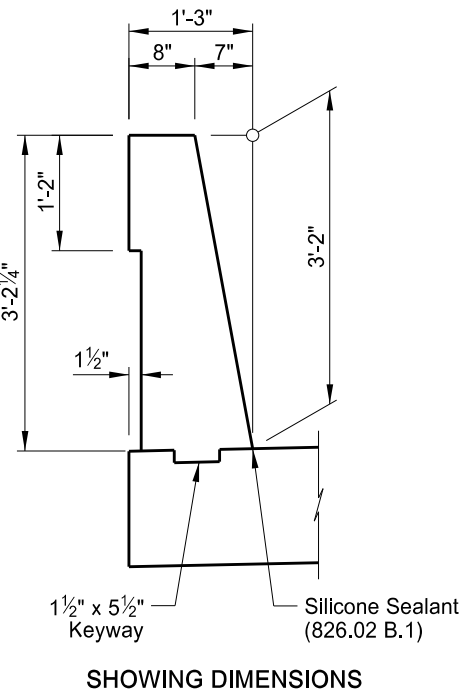
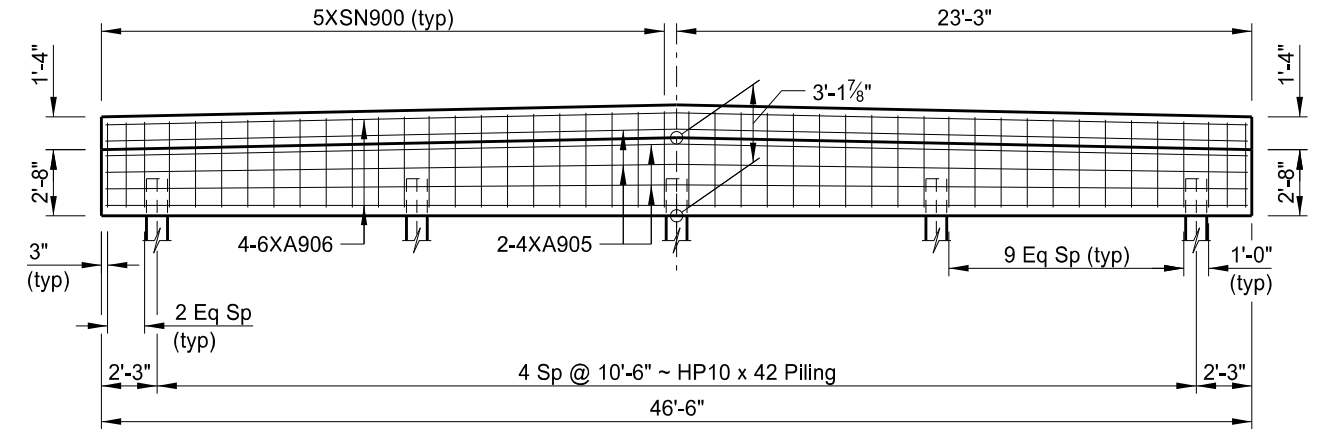
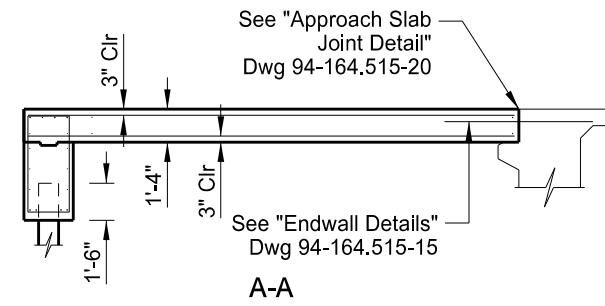


STATE	PROJECT NUMBER	SECTION NO.	SHEET NO.
ND	BND-IM-1-094(192)164	170	19



** 1/2" X 14" Pref Exp Joint Filler
~ Place between approach slab & abutment wing (typ).



This drawing is preliminary and not for construction or implementation purposes.

QUANTITIES
SEE DWG 94-164.515-20
GIBBS TOWNSHIP SEPARATION
APPROACH SLAB DETAILS