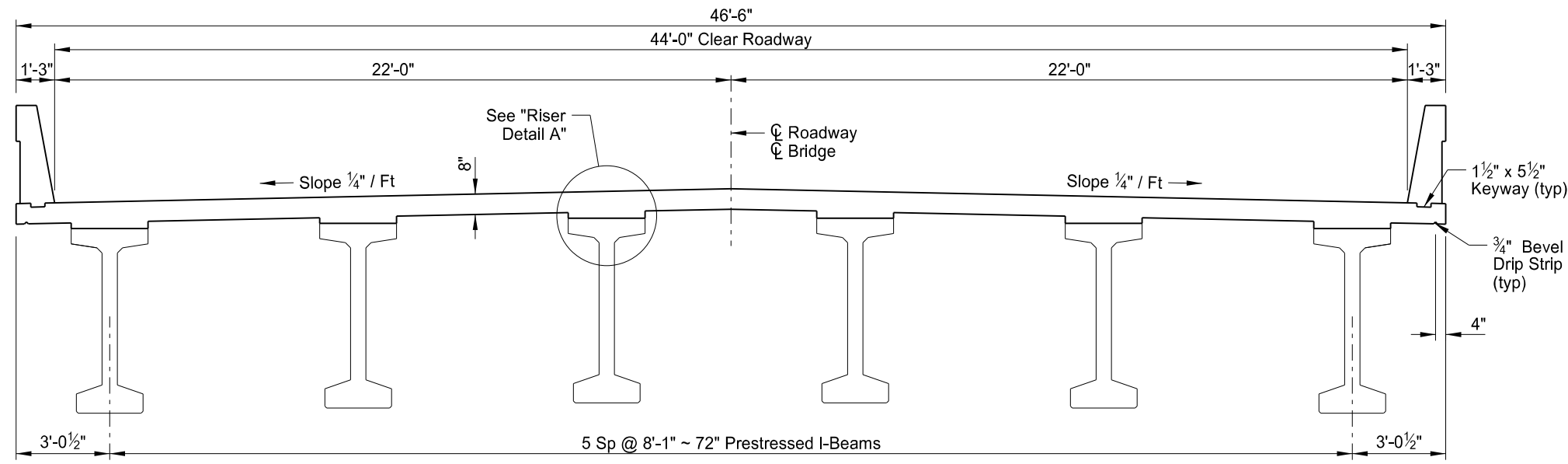
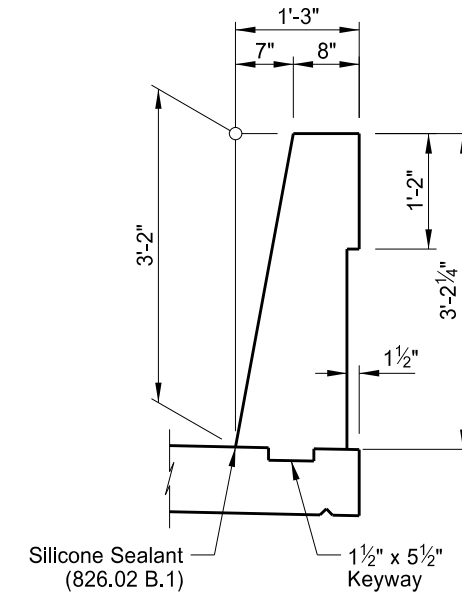


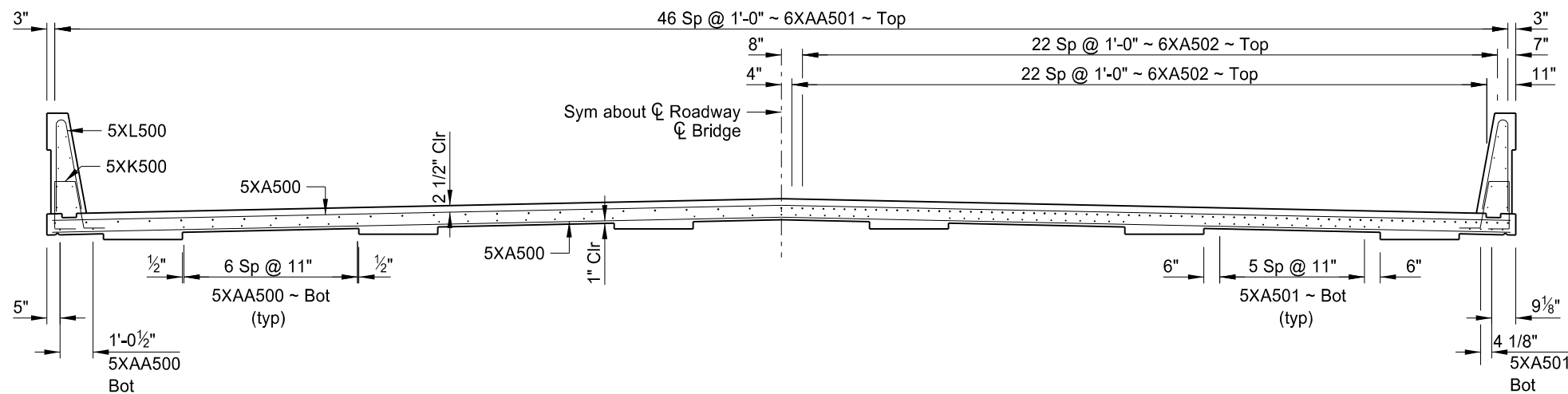
STATE	PROJECT NUMBER	SECTION NO.	SHEET NO.
ND	BND-IM-1-094(192)164	170	16



(SHOWING DIMENSIONS)
SLAB SECTION



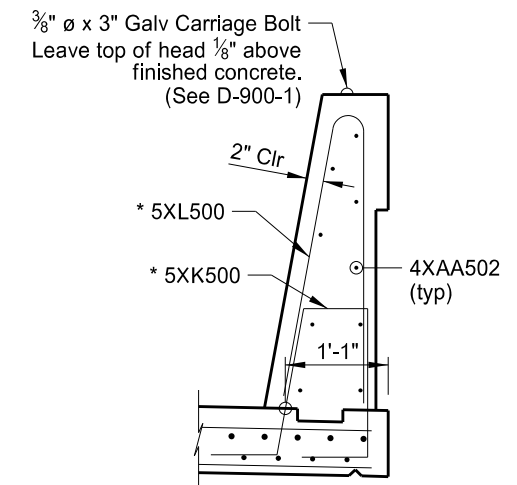
SHOWING DIMENSIONS



(SHOWING REINFORCING BETWEEN SUPPORTS)

SLAB SECTION

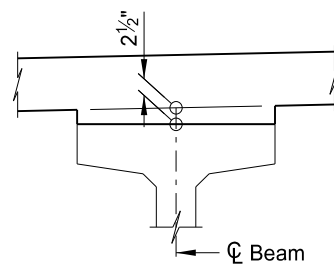
(SHOWING REINFORCING OVER PIERS)



* Provide a 2" clearance from the front face to the barrier reinforcing.

SHOWING REINFORCING

BARRIER DETAIL



RISER DETAIL A

The 2 1/2" dimensions shown are located at the supports. The anticipated midspan riser is 1 1/2". Adjust the riser to maintain the 8" slab thickness.

This drawing is preliminary and not for construction or implementation purposes.

QUANTITIES	
CLASS AAE-3 CONCRETE	499.9 CY
REINFORCING STEEL	4,471 LBS
REINFORCING STEEL (EPOXY)	104,560 LBS

GIBBS TOWNSHIP SEPARATION

SLAB SECTION