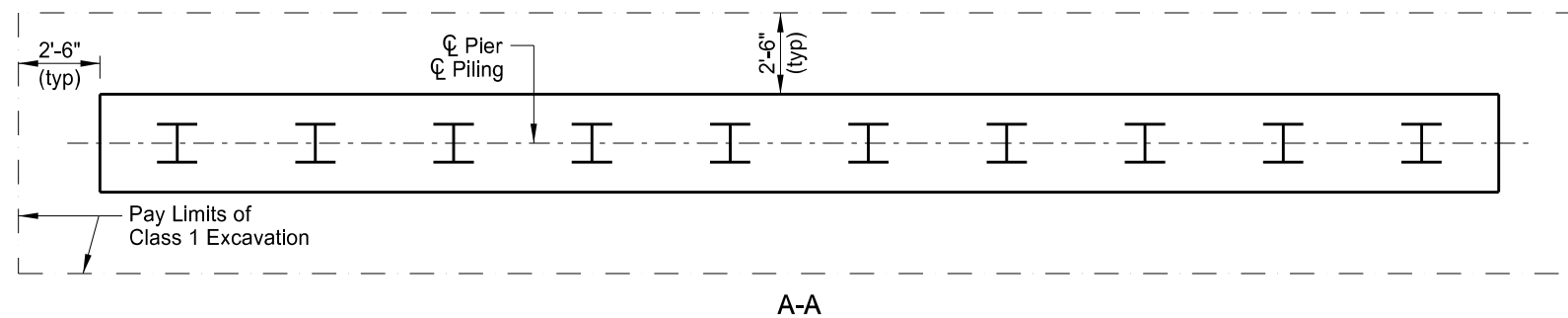
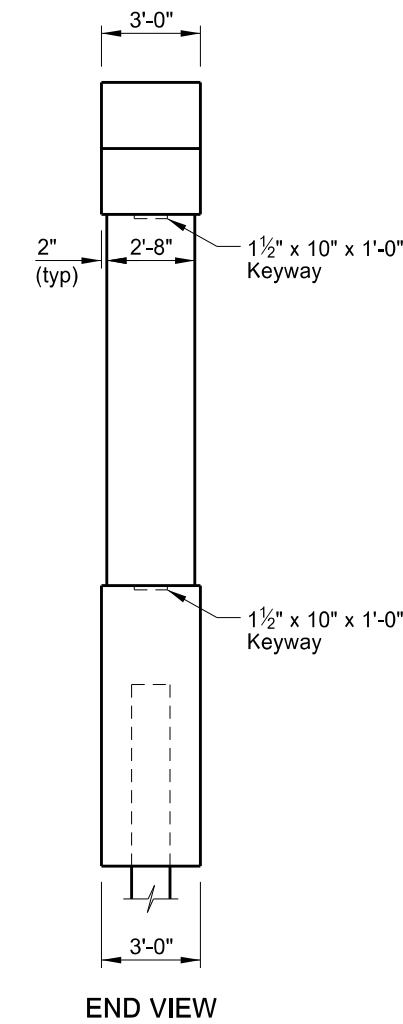
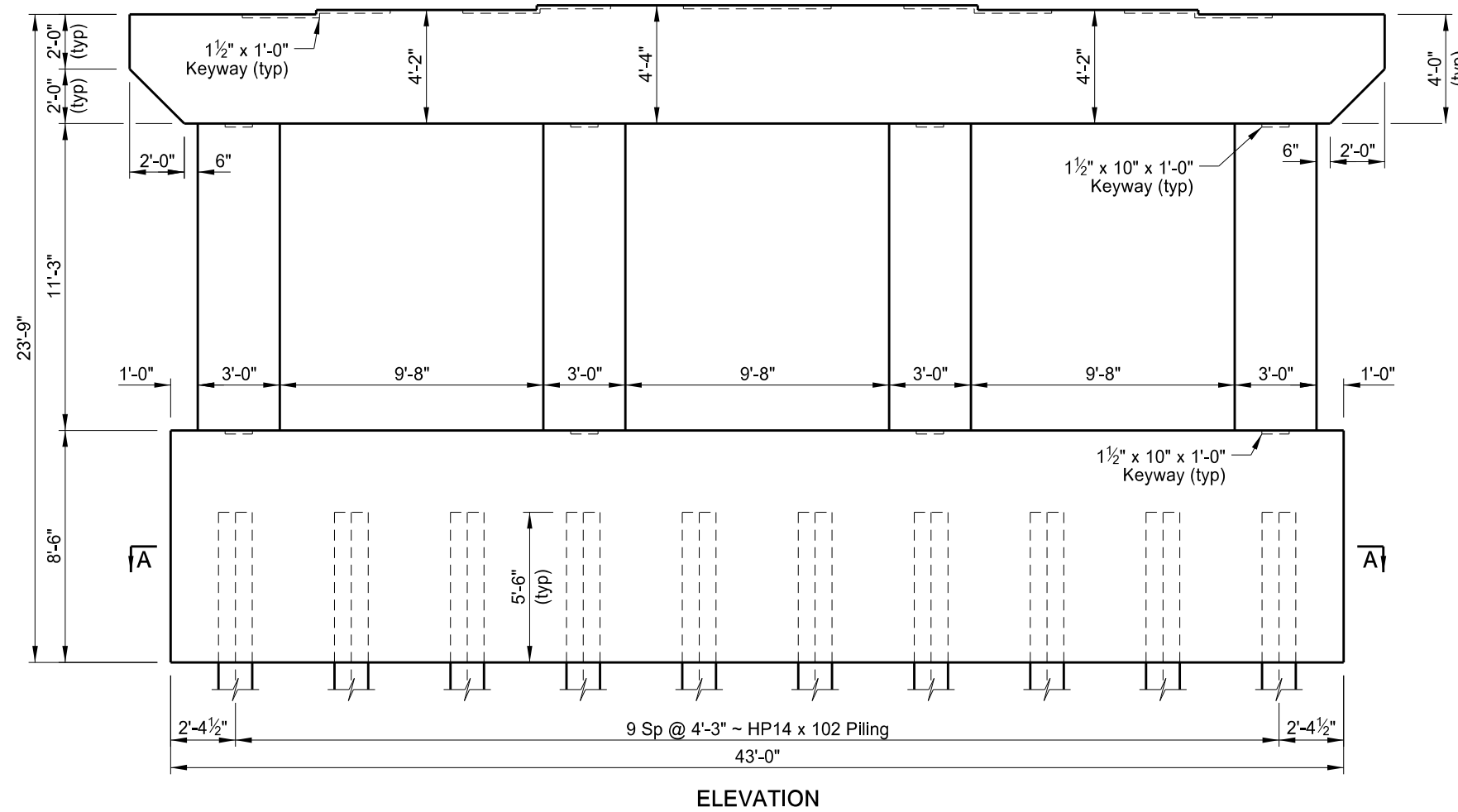
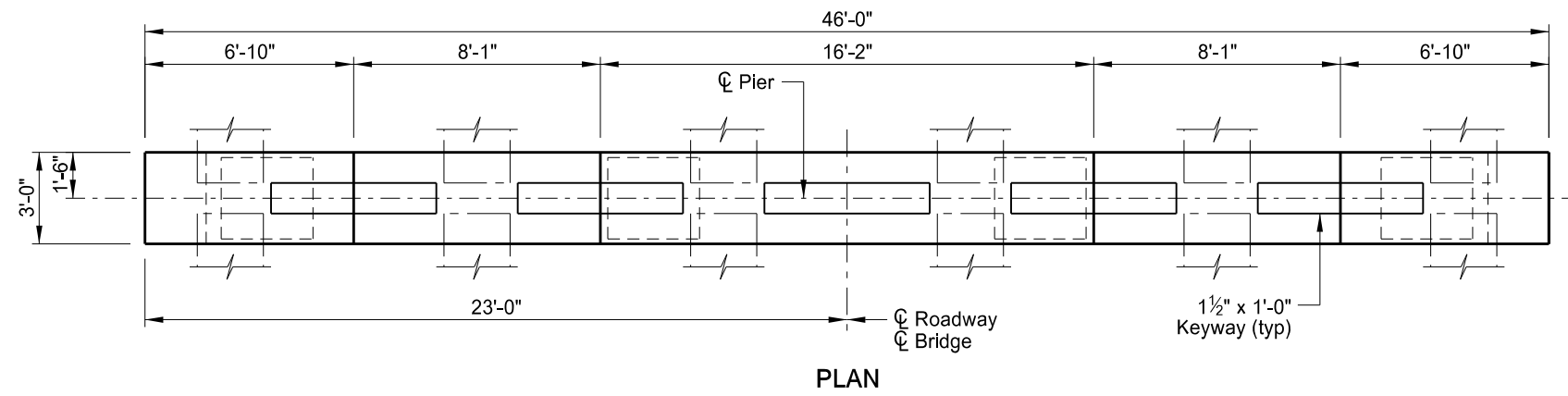


STATE	PROJECT NUMBER	SECTION NO.	SHEET NO.
ND	BND-IM-1-094(192)164	170	9



This drawing is preliminary and not for construction or implementation purposes.

<b>QUANTITIES</b>
SEE DWG 94-164.515-10
<b>GIBBS TOWNSHIP SEPARATION</b>
(SHOWING DIMENSIONS)
<b>PIER DETAILS</b>