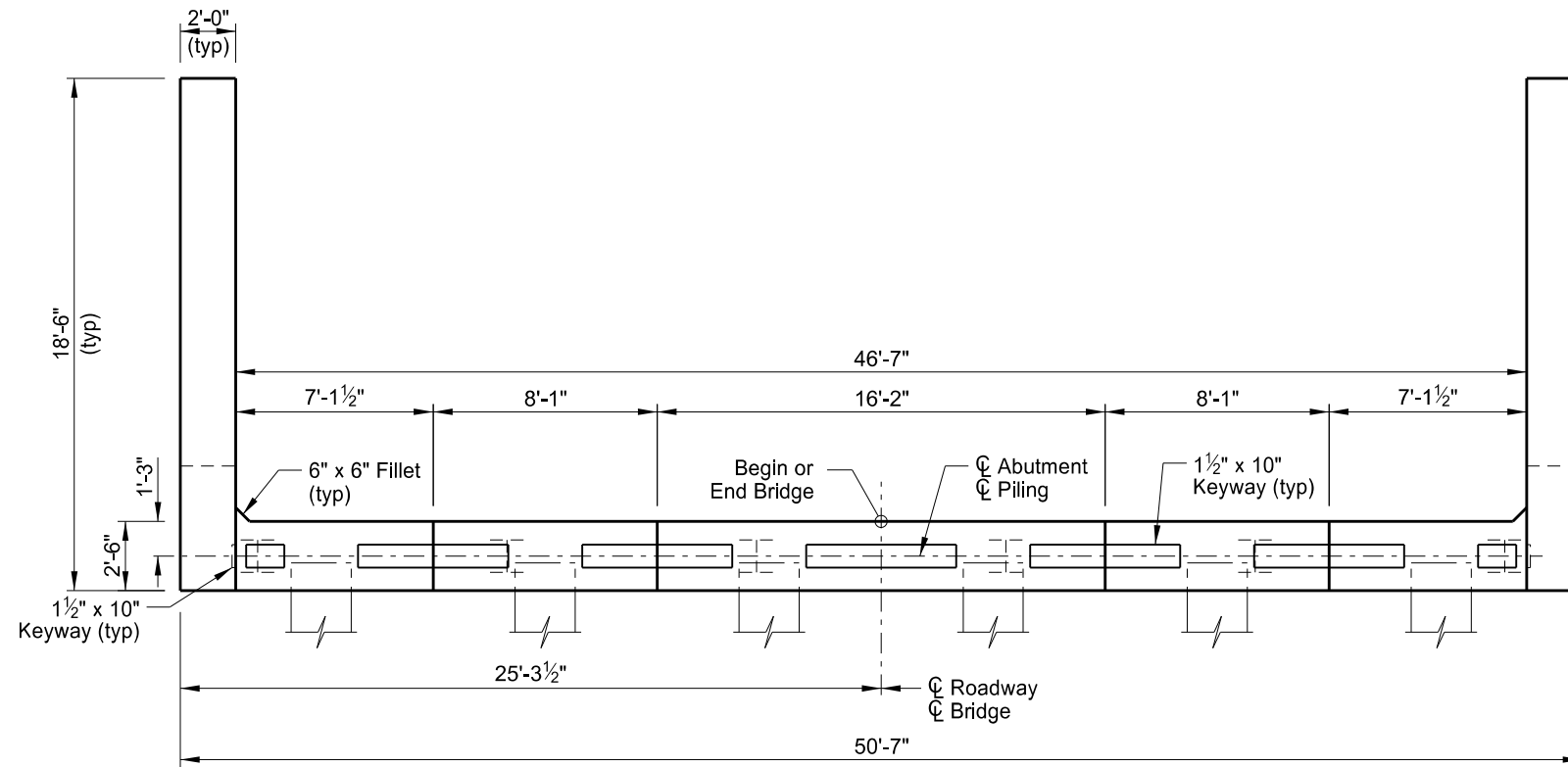


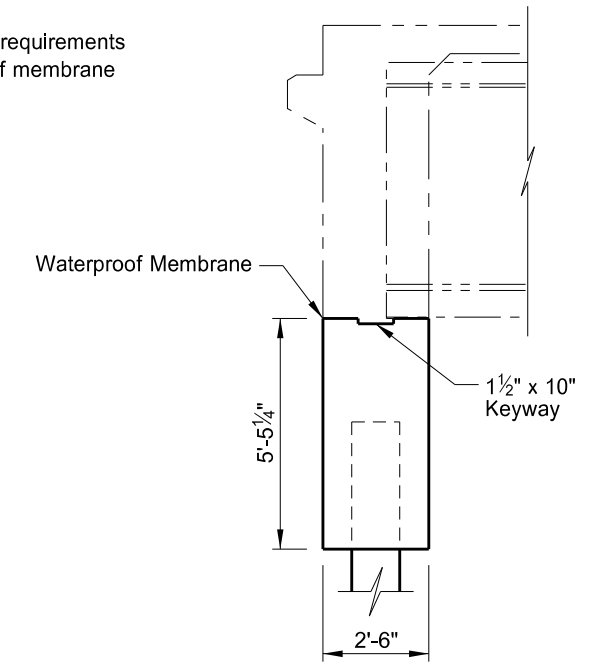
STATE	PROJECT NUMBER	SECTION NO.	SHEET NO.
ND	BND-IM-1-094(192)164	170	7



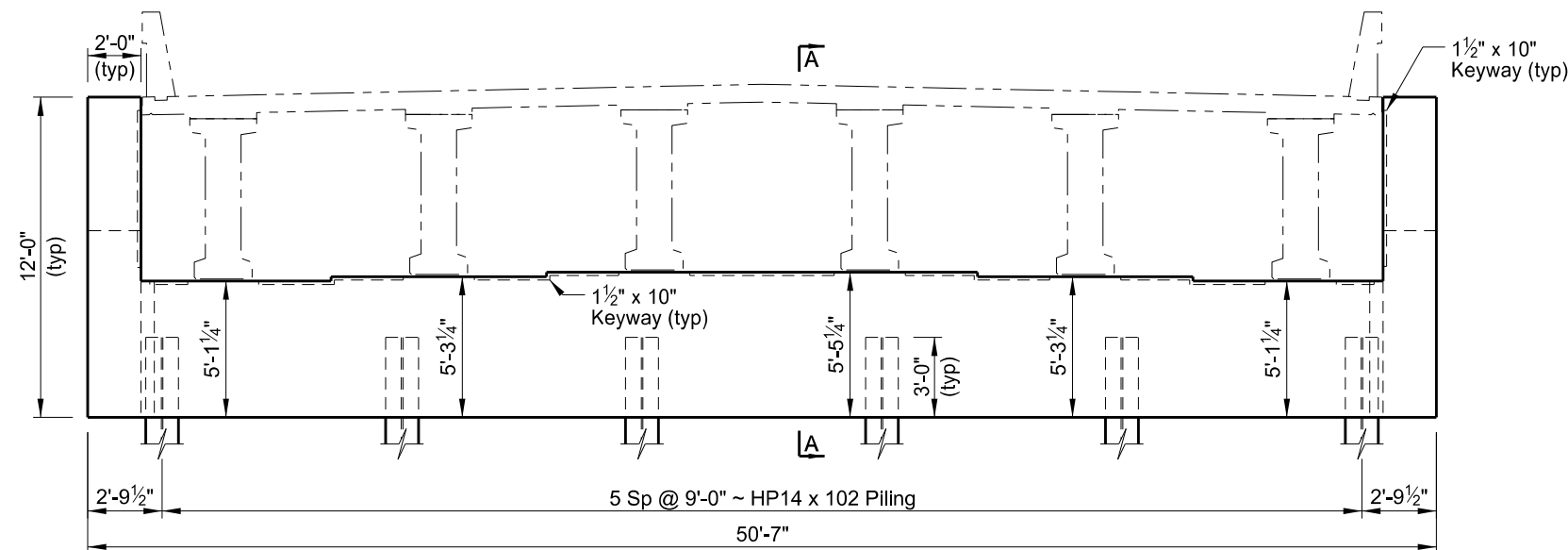
PLAN

NOTE:

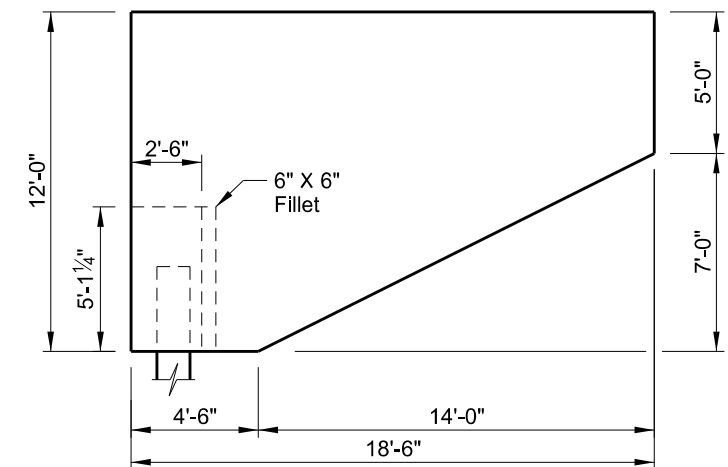
Use waterproof membrane that meets the requirements of Section 602.03 B. Center the waterproof membrane (1'-0" minimum width) on the joint.



A-A



ELEVATION



WING ELEVATION

This drawing is preliminary and not for construction or implementation purposes.

QUANTITIES
SEE DWG 94-164.515-8
GIBBS TOWNSHIP SEPARATION
(SHOWING DIMENSIONS)
ABUTMENT DETAILS