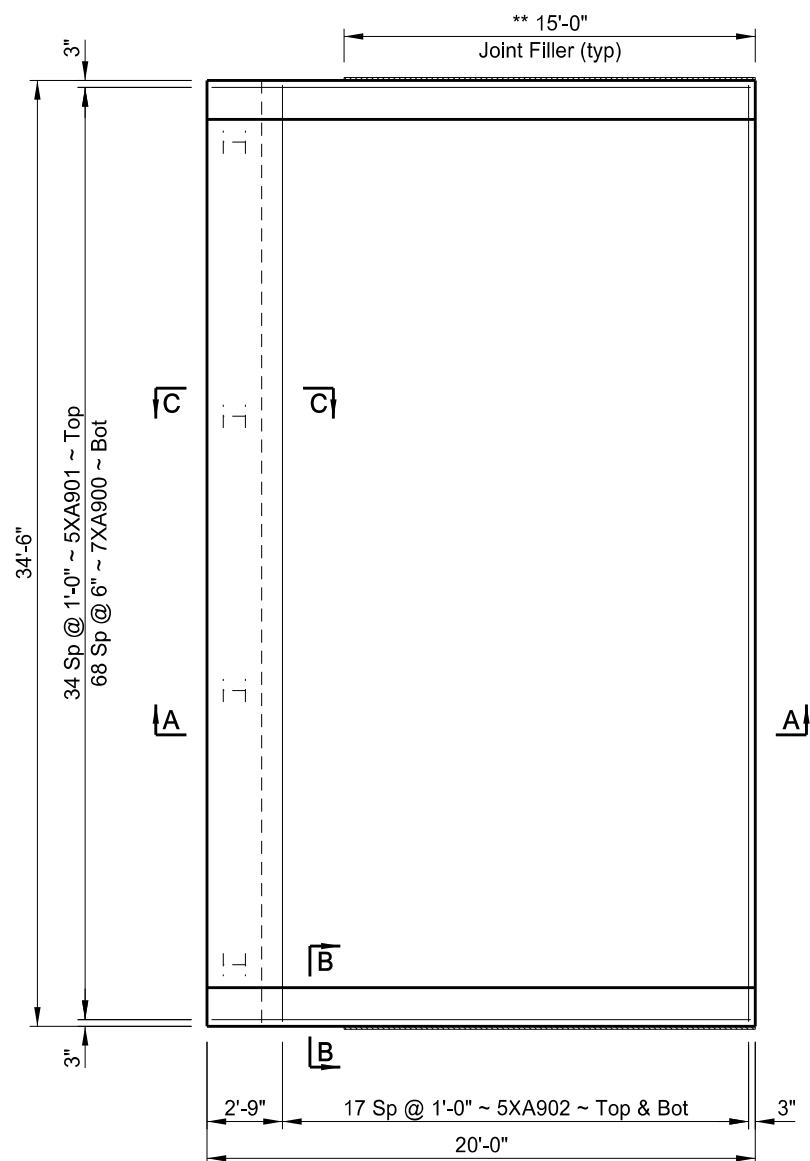
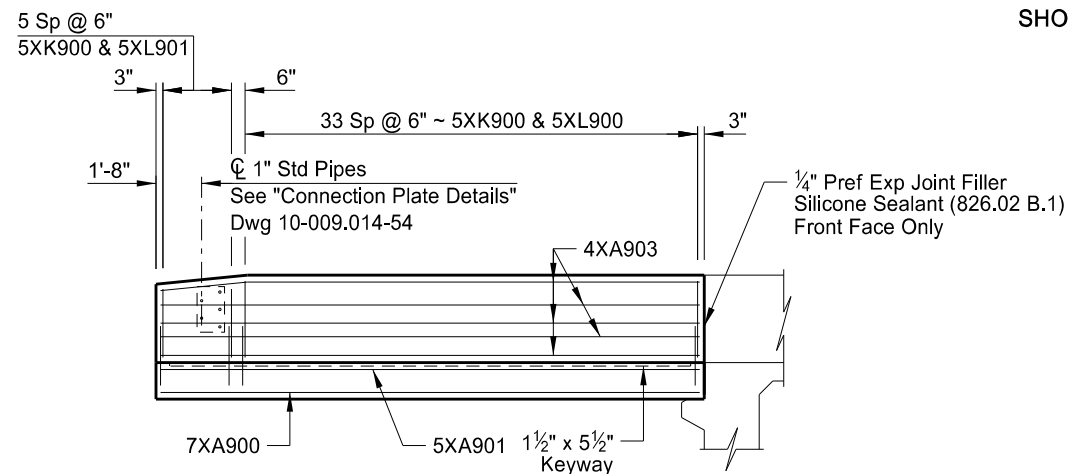
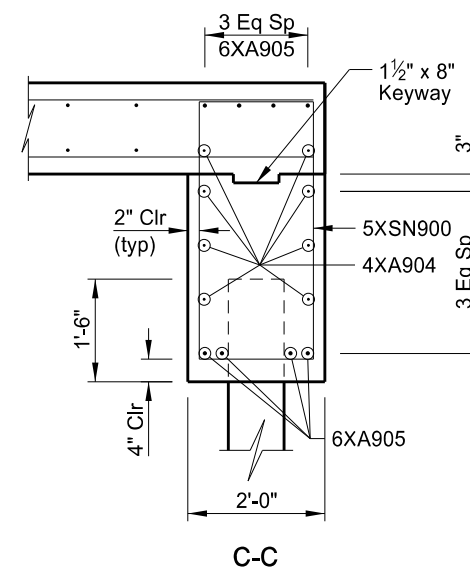
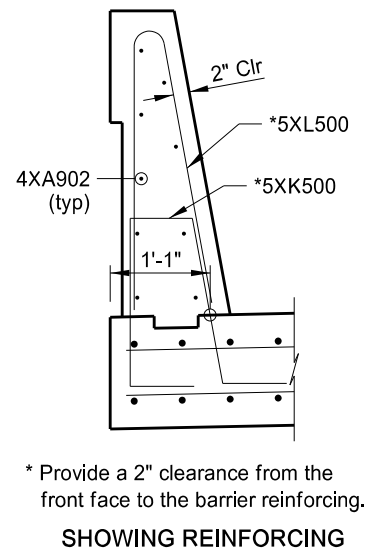
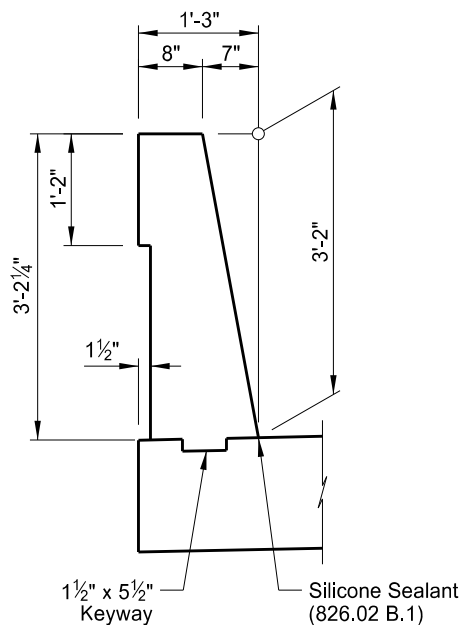
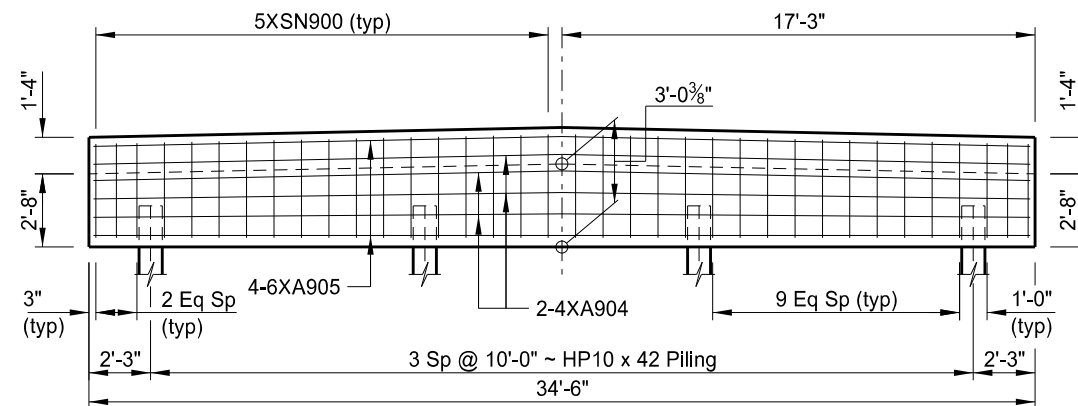
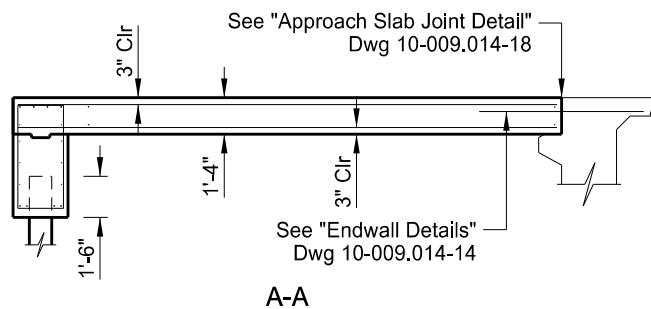


STATE	PROJECT NUMBER	SECTION NO.	SHEET NO.
ND	BRO-8-010(036)009	170	53



** 1/2" x 14" Pref Exp Joint Filler
 ~ Place between approach slab & abutment wing (typ).



This drawing is preliminary and not for construction or implementation purposes.

QUANTITIES
SEE DWG 10-009.014-18
MAPLE RIVER
APPROACH SLAB DETAILS