

BILL OF REINFORCING STEEL, GRADE 60

LETTER PREFIX OF BAR MARK DENOTES SHAPE ~ SEE BAR DETAILS

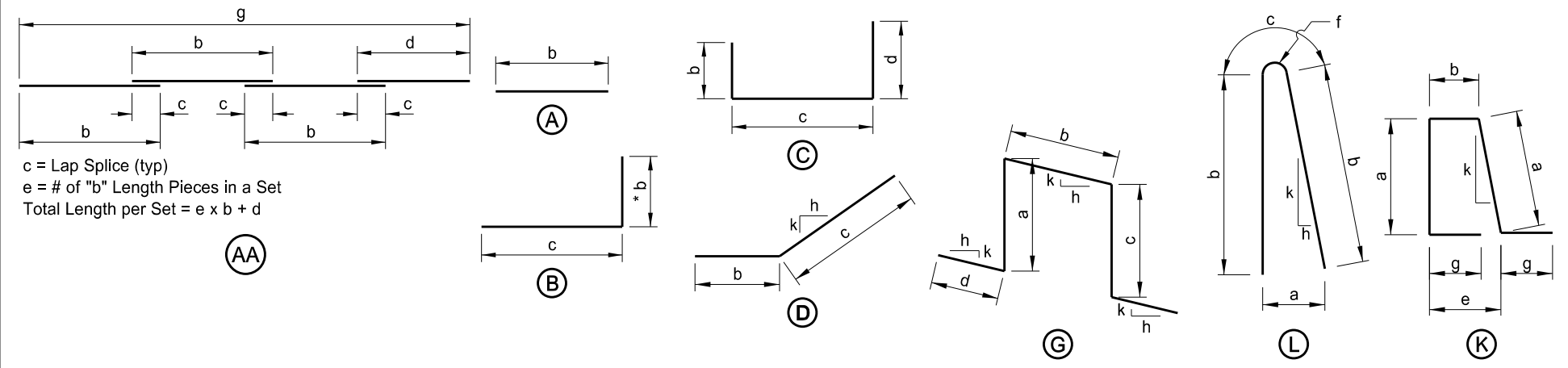
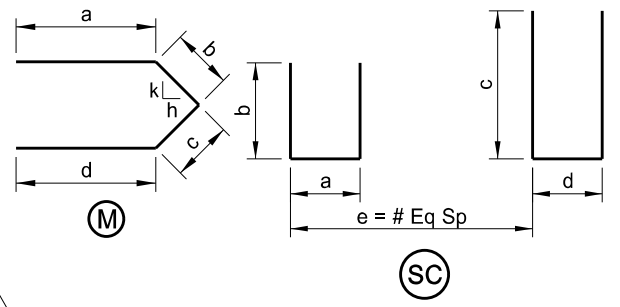
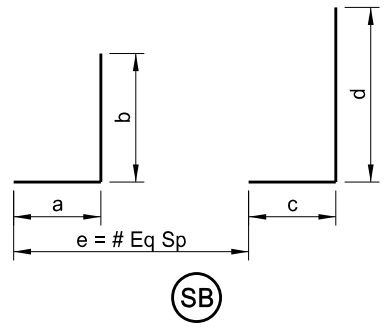
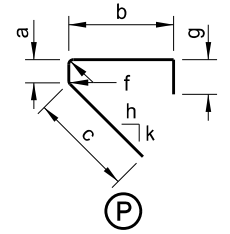
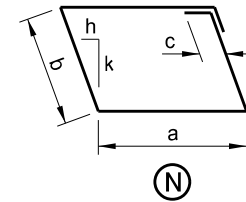
STATE	PROJECT NUMBER	SECTION NO.	SHEET NO.
ND	BRO-8-010(036)009	170	52

LOCATION	SIZE	MARK	NO. EACH /SET	NOMINAL LENGTH	DETAILING DIMENSIONS									LOCATION	SIZE	MARK	NO. EACH /SET	NOMINAL LENGTH	DETAILING DIMENSIONS												
					a	b	c	d	e	f	g	h	k						a	b	c	d	e	f	g	h	k				
ABUTMENTS	5	A100	12	38'-3"		38'-3"									REGULAR	5	A500	12	34'-2"		34'-2"										
	5	B100	20	17'-3"		2'-10"	14'-6"									6	A501	12	31'-8"		31'-8"										
	5	B101	16	7'-11"		10"	7'-1"									4	A502	32	3'-11"		3'-11"										
	5	B102	16	5'-9"		2'-3"	3'-6"									5	G500	24	9'-1"	1'-7"	3'-11"	1'-7"	1'-0"				12	0			
	5	B103	20	15'-7"		1'-0"	14'-7"									5	N500	12	5'-10"	11"	1'-6"	6"					0	12			
	5	C100	12	42'-9"		2'-3"	38'-3"	2'-3"								SUPERSTRUCTURE	5	XA500	813	34'-2"		34'-2"									
	5	C101	44	15'-4"		6'-10"	1'-8"	6'-10"									7	XA501	26	44'-6"		44'-6"									
	5	C102	44	10'-2"		4'-3"	1'-8"	4'-3"									7	XA502	28	51'-0"		51'-0"									
	5	C103	44	4'-2"		1'-3"	1'-8"	1'-3"									5	XA503	140	3'-0"		3'-0"									
	4	C104	60	2'-8"		6"	1'-8"	6"									5	XA504	36	14'-0"		14'-0"									
	5	C105	20	16'-2"		7'-6"	1'-2"	7'-6"									5	XB500	70	6'-9"		2'-9"	4'-0"								
	5	D100	8	13'-6"		2'-7"	10'-11"						4.4	12			5	XB501	36	5'-6"		2'-6"	3'-0"								
	5	SB100	4	51'-2"	3'-6"	4'-0"	3'-6"	14'-7"	3								4	XG500	40	9'-4"	2'-7"	2'-2"	2'-7"	1'-0"				12	0		
	5	SB101	4	41'-2"	1'-0"	4'-0"	1'-0"	14'-7"	3								EPOXY	5	XK500	754	4'-11"	1'-6"	7"				10"		8"	2.2	12
	5	SC100	4	147'-7"	1'-8"	4'-6"	7'-3"	1'-8"	10									5	XL500	754	5'-11"	9"	2'-9"	5"			1.25"	10"	2.2	12	
5	PIERS	A200	108	32'-8"		32'-8"								5	XP500			70	5'-6"	5"	2'-1"	2'-2"			1.25"	10"	12	6.5			
5	A201	136	25'-5"		25'-5"									5	XAA500			24	253'-8"		60'-0"	3'-0"	13'-8"	4		241'-8"					
6	A202	2	24'-6"		24'-6"									5	XAA501			28	253'-8"		60'-0"	3'-0"	13'-8"	4		241'-8"					
5	C200	54	6'-6"		2'-3"	2'-0"	2'-3"							4	XAA502			18	249'-8"		60'-0"	2'-0"	9'-8"	4		241'-8"					
5	C201	68	6'-8"		2'-3"	2'-2"	2'-3"																								
4	C202	112	3'-2"		6"	2'-2"	6"																								
5	M200	50	7'-2"	2'-3"	1'-4"	1'-4"	2'-3"					12	12																		

23 U.S.C. 409
NDDOT Reserves All Objections

NOTES:

- All dimensions are out to out of bars.
- Nominal length of each bent bar or cut bar is the sum total of the detailing dimensions for that bar, unless otherwise noted.
- Turn adjacent "AA" bars end for end so that the splice locations are staggered.
- The "f" dimension indicates the inside radius unless otherwise noted.
- An "X" preceding a bar designation indicates an epoxy coated bar.



This drawing is preliminary and not for construction or implementation purposes.

MAPLE RIVER
REINFORCING BAR LIST & DETAILS