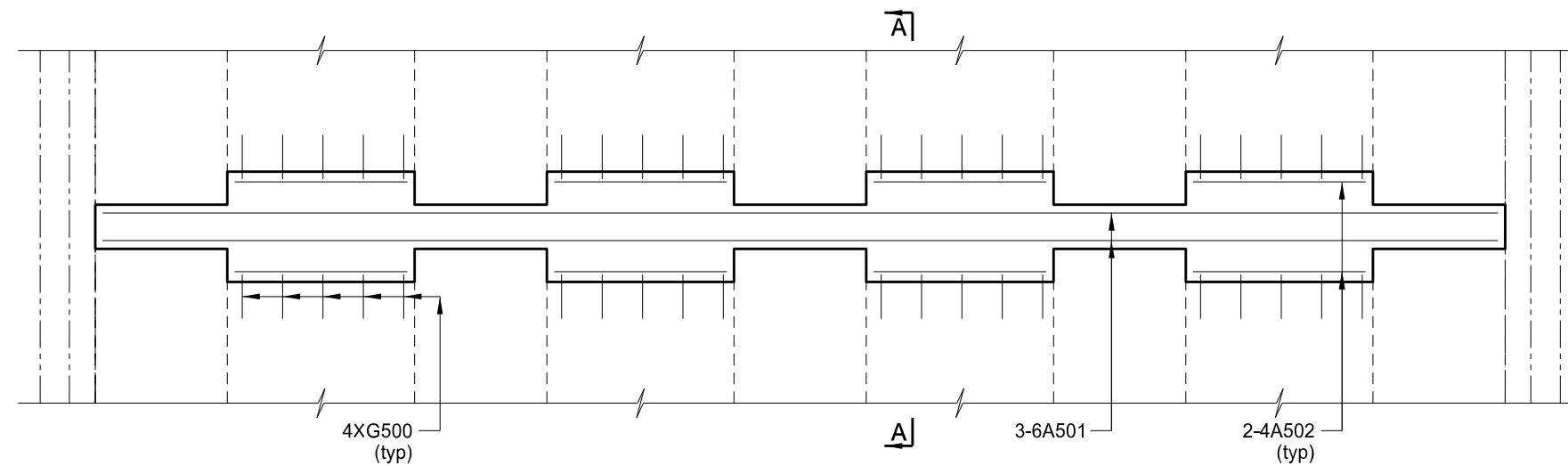
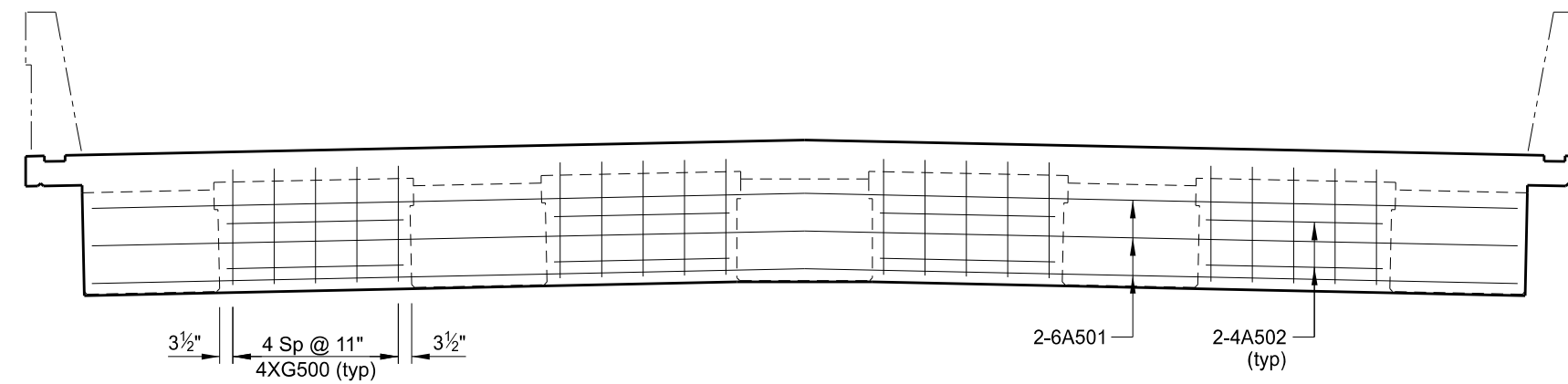
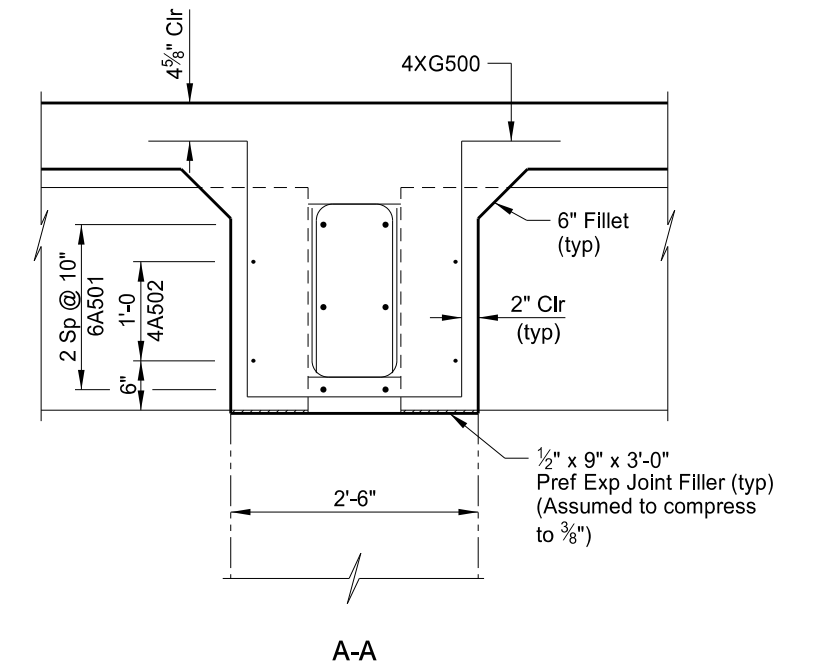


STATE	PROJECT NUMBER	SECTION NO.	SHEET NO.
ND	BRO-8-010(036)009	170	49



PLAN



ELEVATION

This drawing is preliminary and not for construction or implementation purposes.

QUANTITIES
SEE DWG 10-009.014-15
MAPLE RIVER
PIER DIAPHRAGM DETAILS