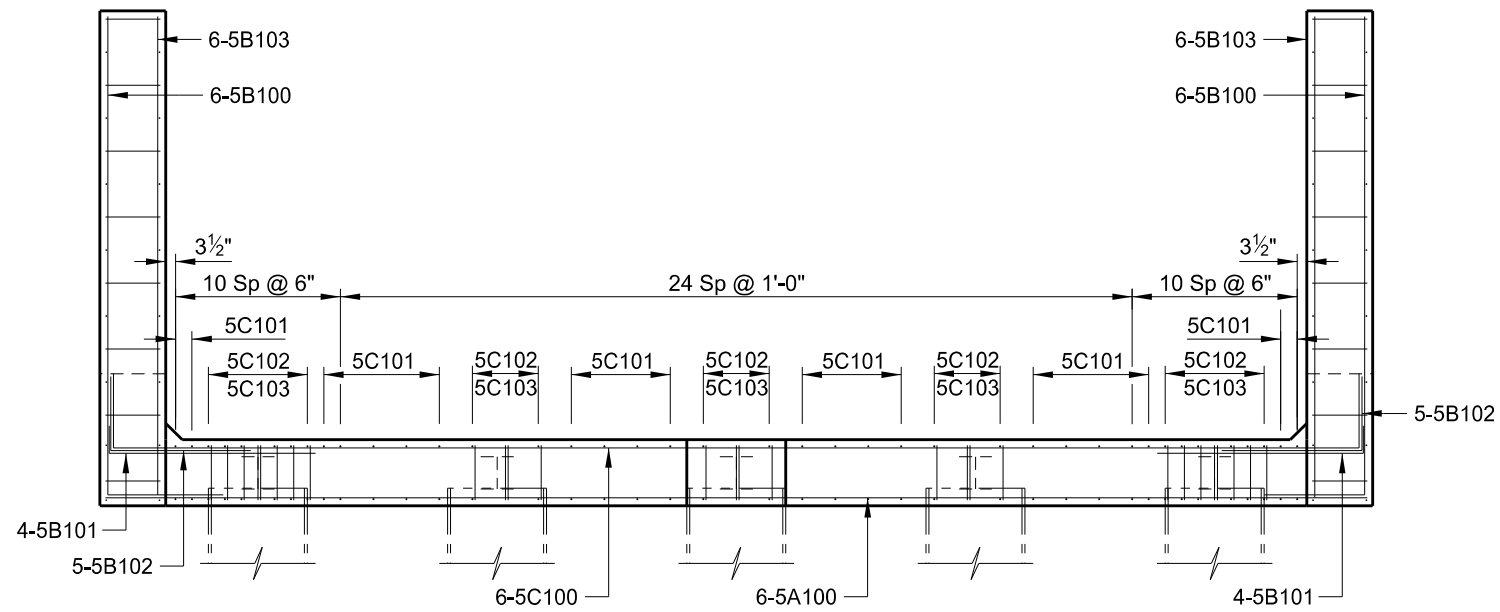
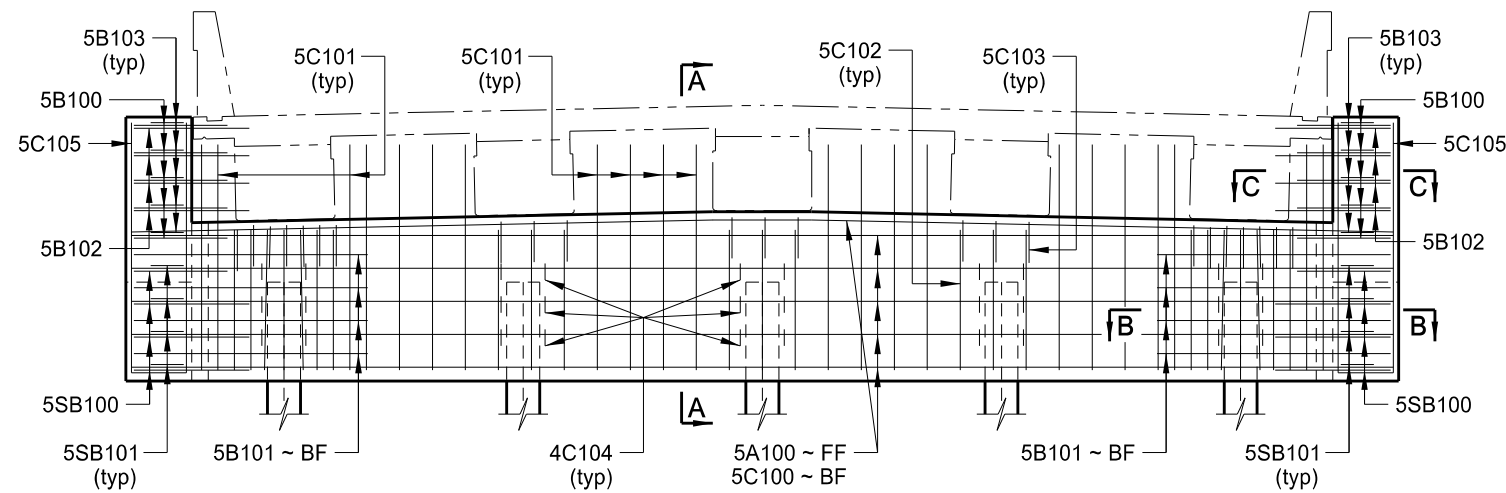


STATE	PROJECT NUMBER	SECTION NO.	SHEET NO.
ND	BRO-8-010(036)009	170	43

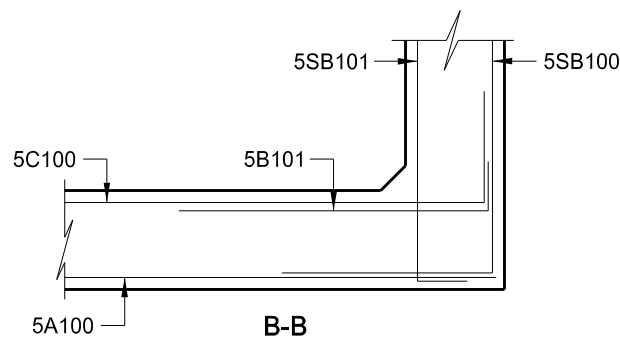
Position the long leg of 5B102 bar Perpendicular to abutment wing.  
 \* 5C102 & 5C103 when located over a piling install open end down.



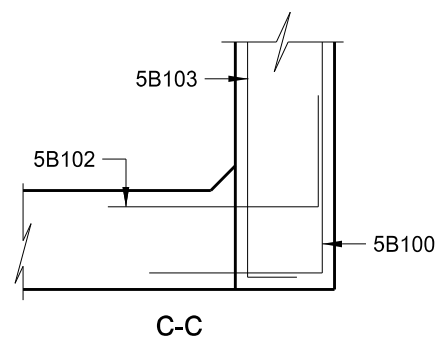
PLAN



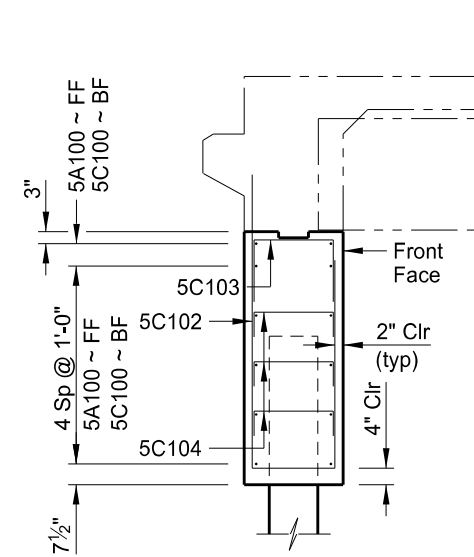
ELEVATION



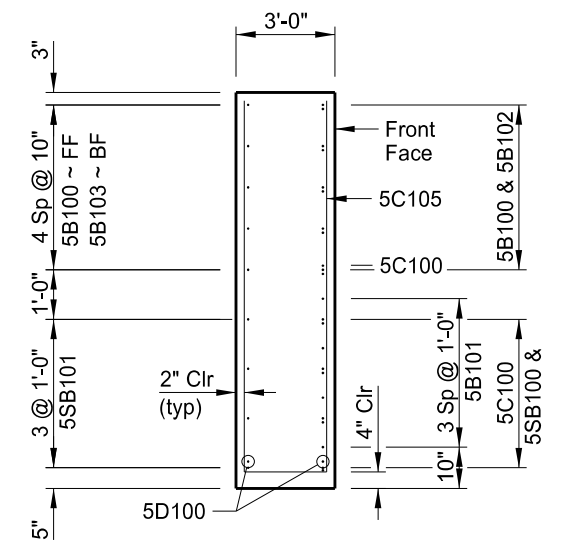
B-B



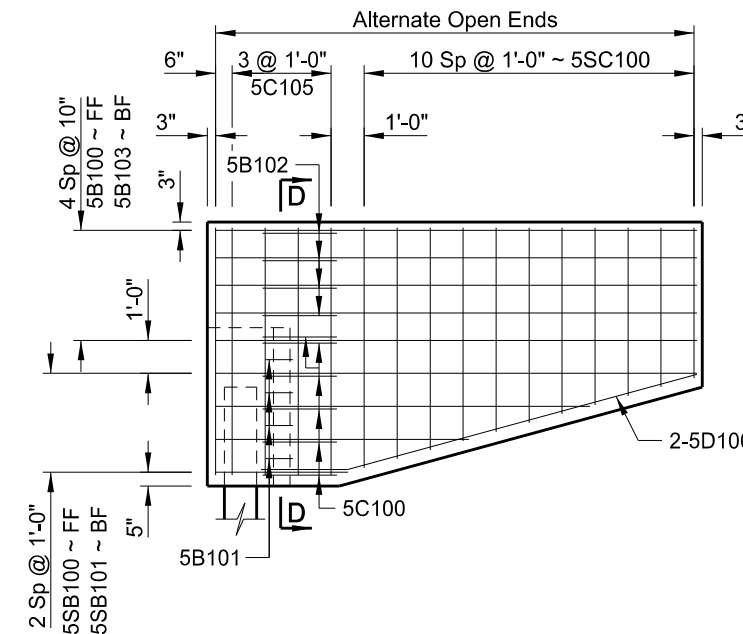
C-C



A-A



D-D



WING ELEVATION

**NOMENCLATURE:**  
 FF = Front Face  
 BF = Back Face

This drawing is preliminary and not for construction or implementation purposes.

QUANTITIES	(ONE ABUTMENT)
CLASS AE-3 CONCRETE	28.1 CY
REINFORCING STEEL	2,423 LBS
MAPLE RIVER (SHOWING REINFORCING) ABUTMENT DETAILS	