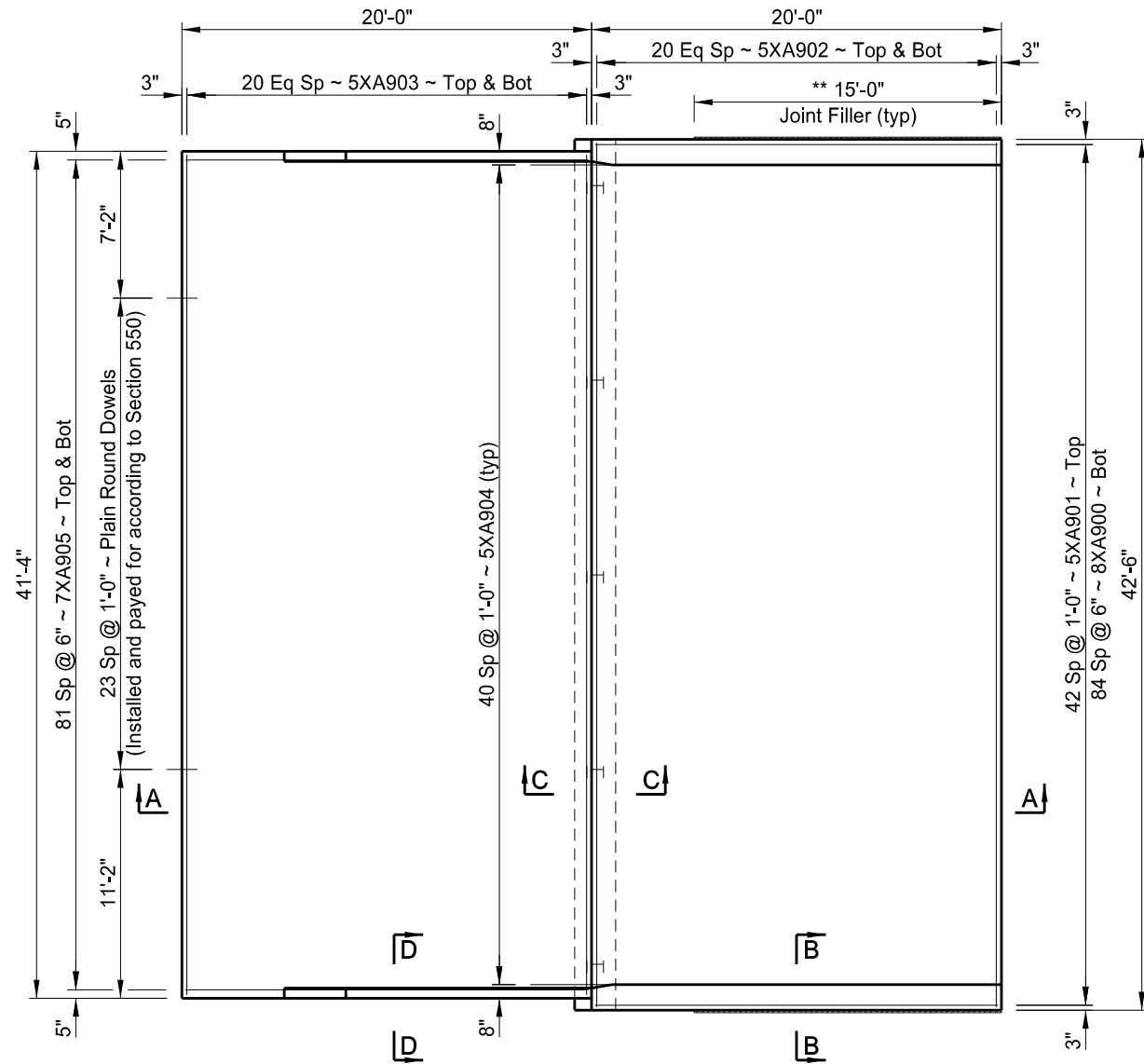
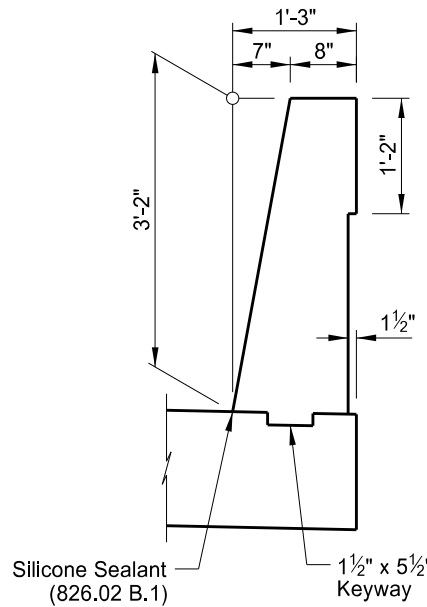
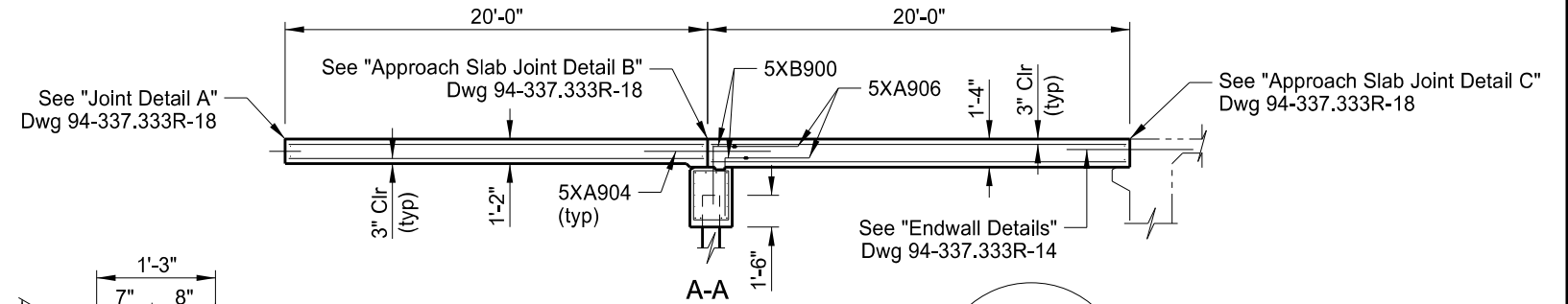


STATE	PROJECT NUMBER	SECTION NO.	SHEET NO.
ND	IM-8-094(100)337	170	35

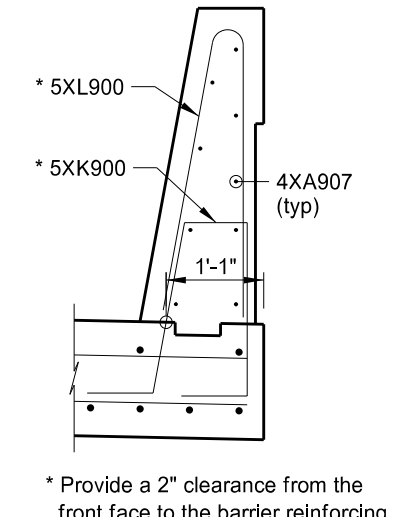
** 1/2" x 14" Pref Exp Joint Filler
~ Place between approach slab & abutment wing (typ).



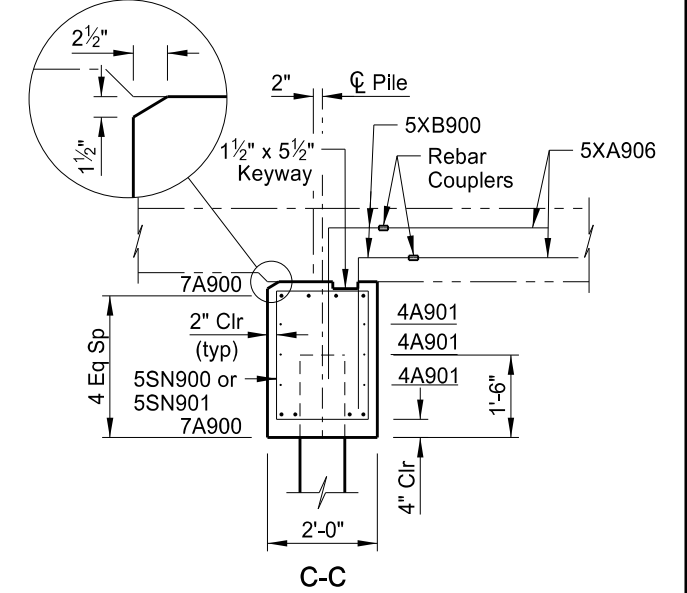
PLAN



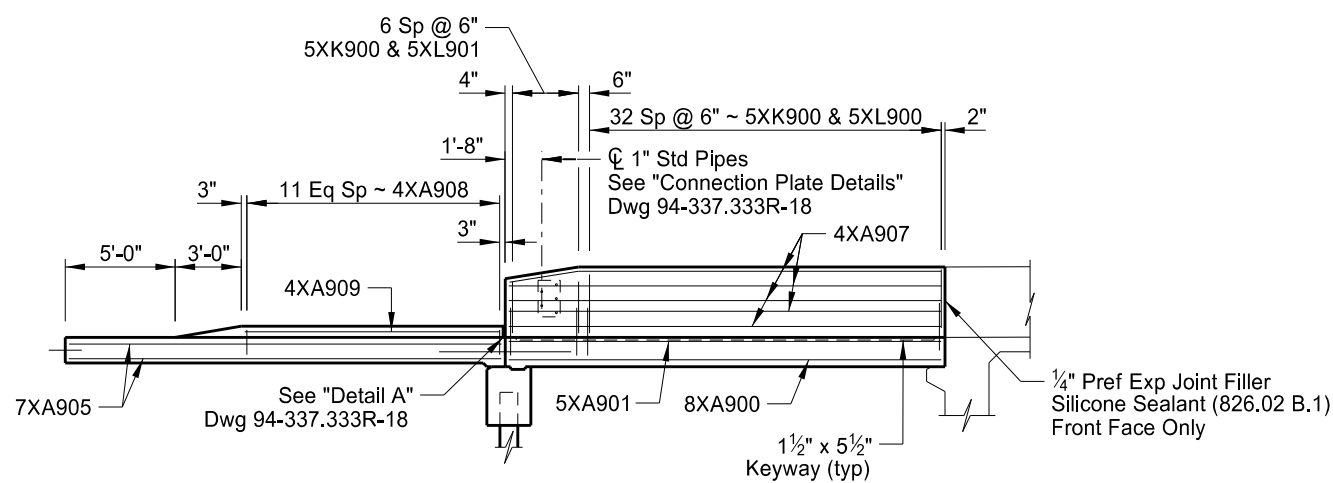
SHOWING DIMENSIONS



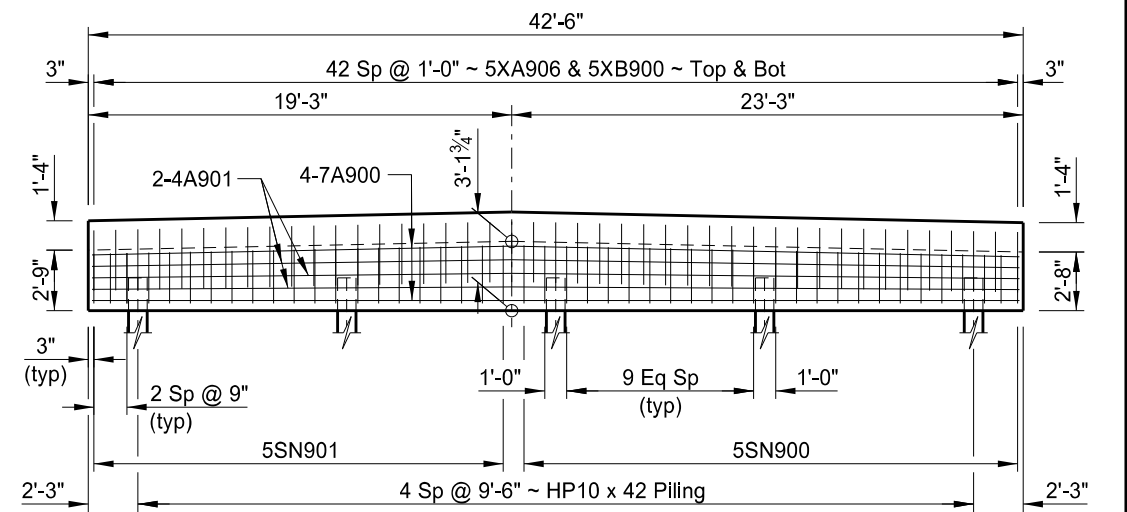
SHOWING REINFORCING



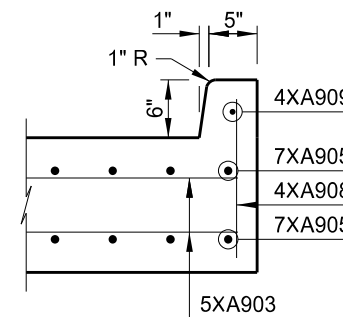
C-C



ELEVATION



FOOTING ELEVATION



D-D

This drawing is preliminary and not for construction or implementation purposes.

QUANTITIES
SEE DWG 94-337.333R-18
MAPLE RIVER
APPROACH SLAB DETAILS