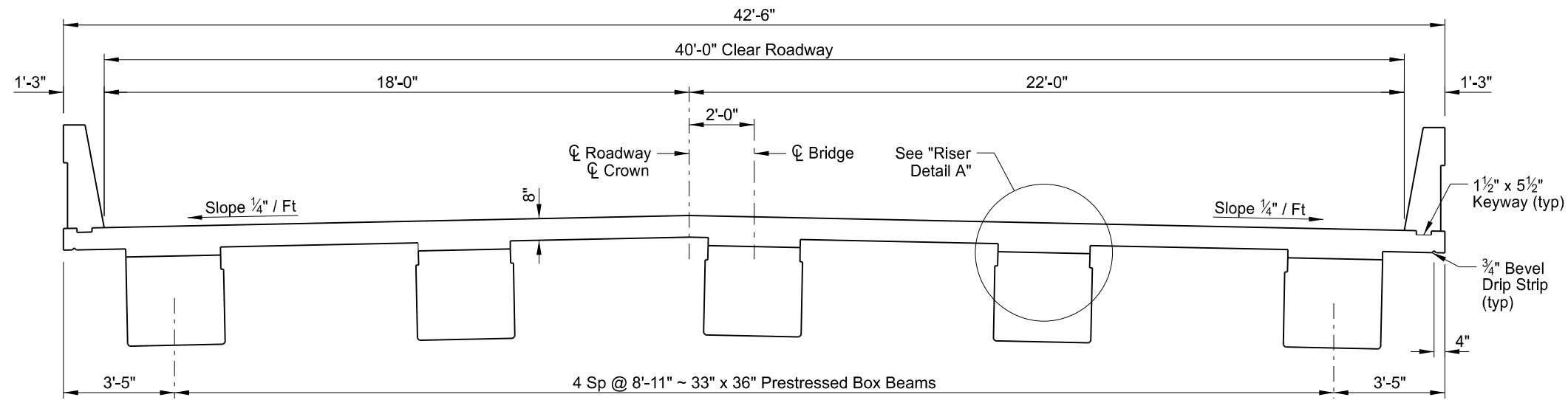
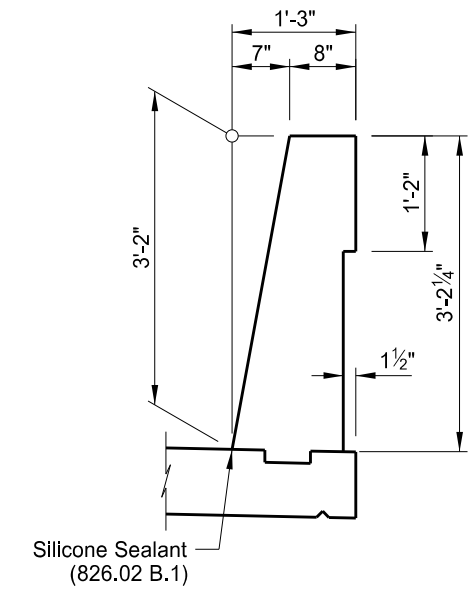


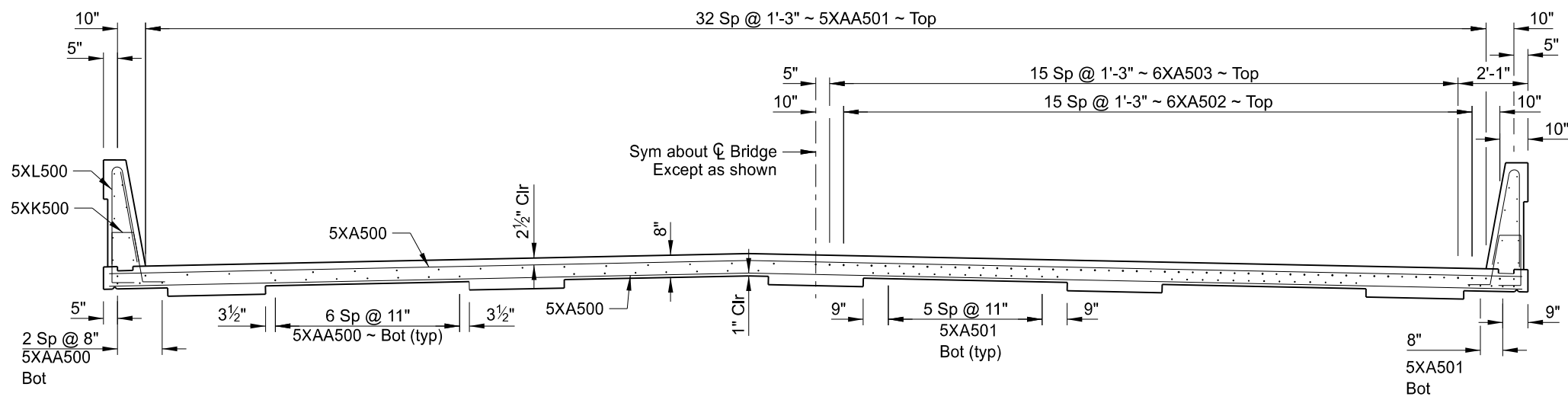
STATE	PROJECT NUMBER	SECTION NO.	SHEET NO.
ND	IM-8-094(100)337	170	33



(SHOWING DIMENSIONS)
SLAB SECTION



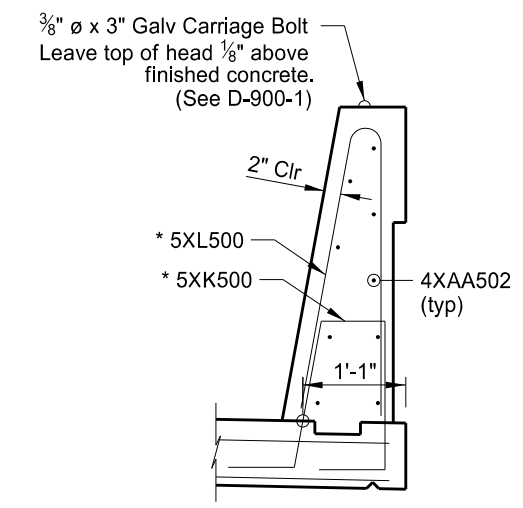
SHOWING DIMENSIONS



(SHOWING REINFORCING BETWEEN SUPPORTS)

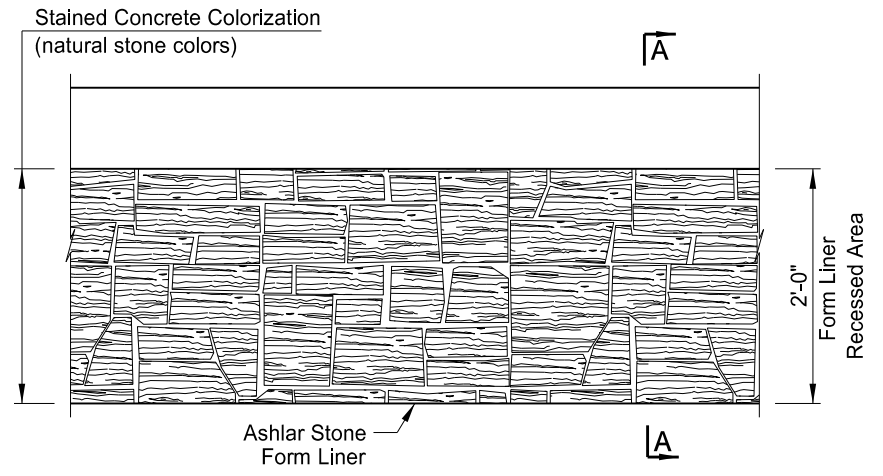
(SHOWING REINFORCING OVER PIERS)

SLAB SECTION

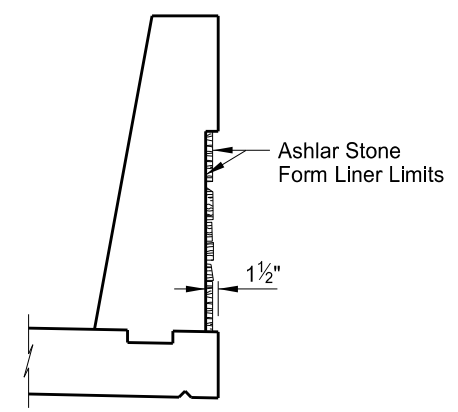


* Provide a 2" clearance from the front face to the barrier reinforcing.

SHOWING REINFORCING
BARRIER DETAIL

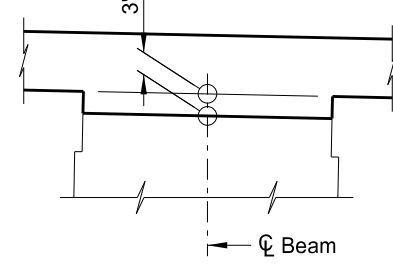


(SHOWING FORM LINER ~ BACK FACE)
BARRIER ELEVATION



A-A

The 3" dimensions shown are located at the supports. The anticipated midspan riser is 3/4". Adjust the riser to maintain the 8" slab thickness.



RISER DETAIL A

This drawing is preliminary and not for construction or implementation purposes.

QUANTITIES	
CLASS AAE-3 CONCRETE	361.4 CY
REINFORCING STEEL	1,727 LBS
REINFORCING STEEL (EPOXY)	79,615 LBS

MAPLE RIVER

SLAB SECTION