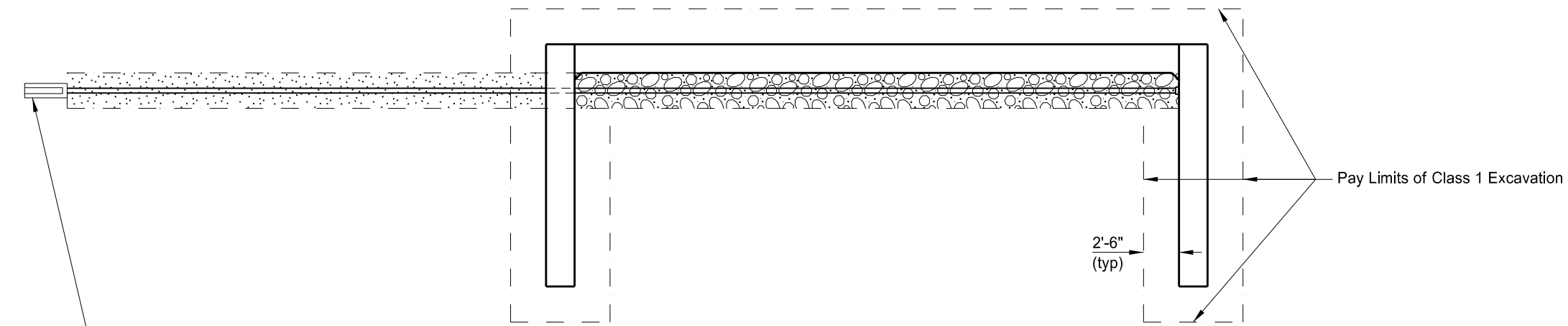
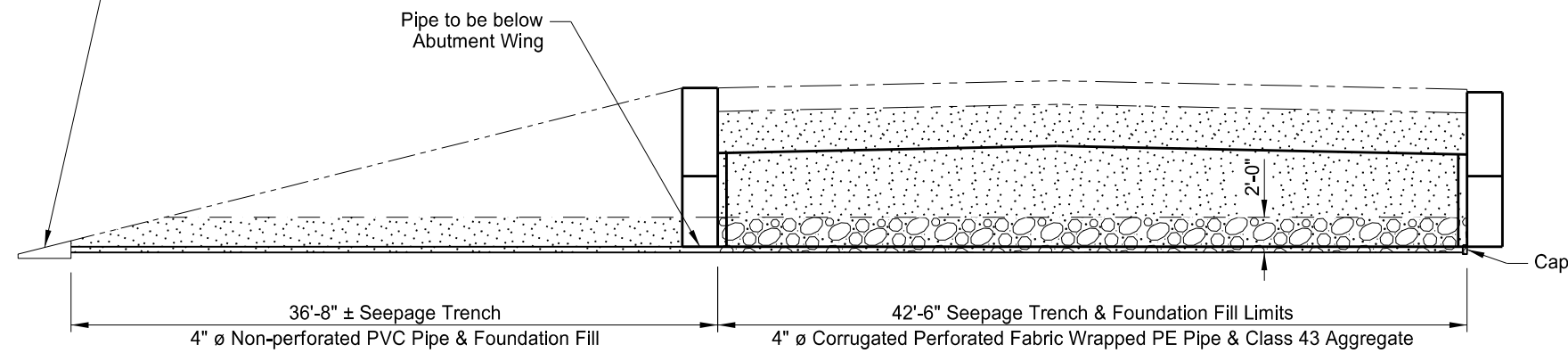


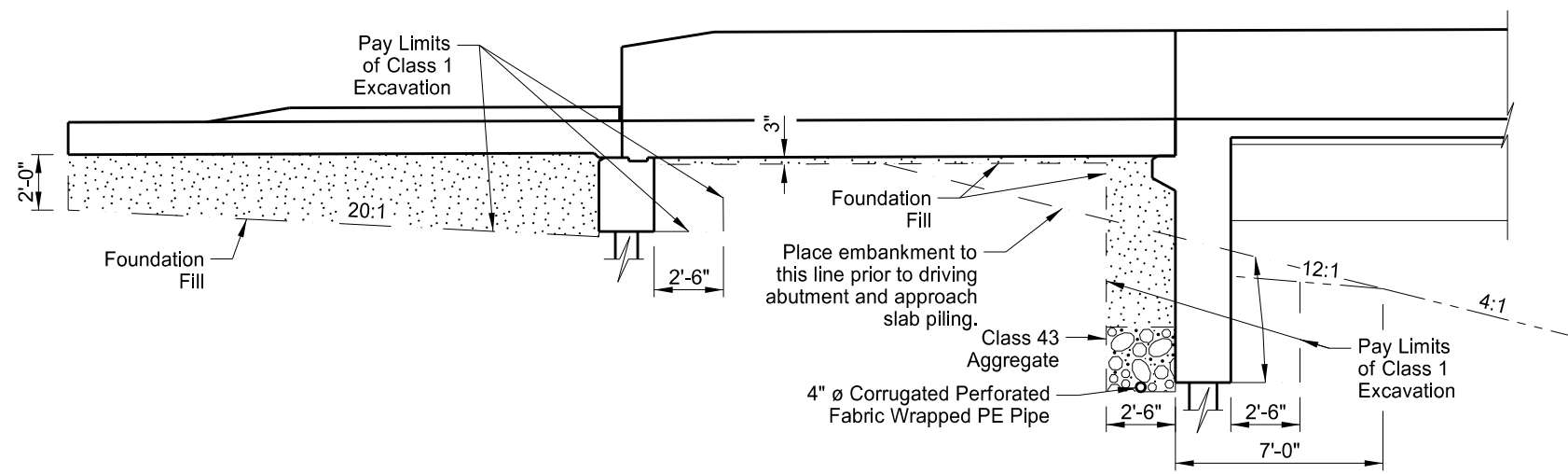
STATE	PROJECT NUMBER	SECTION NO.	SHEET NO.
ND	IM-8-094(100)337	170	23



ABUTMENT PLAN



BACK FACE OF ABUTMENT



DETAIL AT ABUTMENT

NOTES:

Use corrugated perforated fabric wrapped PE pipe that meets the requirements of Section 830.03 A.4. Provide fabric wrapping for the pipe that meets the requirements of Section 858.01 for D3 or D4 drainage fabric. Use non-perforated PVC pipe that meets the requirements of Section 830.03 A.3. Provide aggregate that meets the requirements of Section 816.03, Class 43. Provide foundation fill that meets the requirements of Section 210.

Include the cost to furnish and place the foundation fill, aggregate, corrugated perforated pipe, non-perforated pipe and headwalls in the pay item "Abutment Underdrain System."

This drawing is preliminary and not for construction or implementation purposes.

MAPLE RIVER

ABUTMENT UNDERDRAIN & EXCAVATION DETAILS