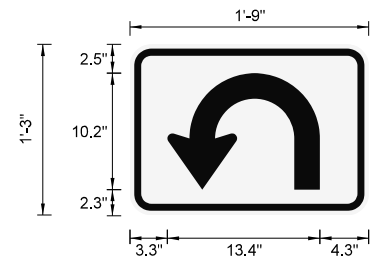


SIGN NUMBER	SN X
WIDTH X HEIGHT	1'-9" x 1'-3"
BORDER WIDTH	0.63" (inset 0.38")
CORNER RADIUS	1.5"
MOUNTING	Ground
BACKGROUND	TYPE: IV Reflective COLOR: White
LEGEND/BORDER	TYPE: Non-reflective COLOR: Black

STATION(S):
Conventional Roadway Use
AREA: 2.2 Sq.Ft.



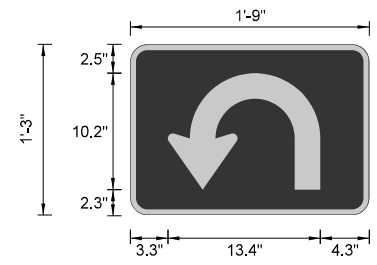
Dimensions are in inches,tenths
Letter locations are panel edge to lower left corner
PANEL STYLE: ND_Guide_24_Small_White.ssi

SYMBOL	X	Y	WID	HT	ANGLE
ND_21IN_U	3.3	2.2	13.4	10.2	0

LETTER POSITION (X)		LENGTH	SIZE	SERIES

SIGN NUMBER	SN X
WIDTH X HEIGHT	1'-9" x 1'-3"
BORDER WIDTH	0.5" (inset 0")
CORNER RADIUS	1.5"
MOUNTING	Ground
BACKGROUND	TYPE: IV Reflective COLOR: Blue
LEGEND/BORDER	TYPE: IV Reflective COLOR: Yellow

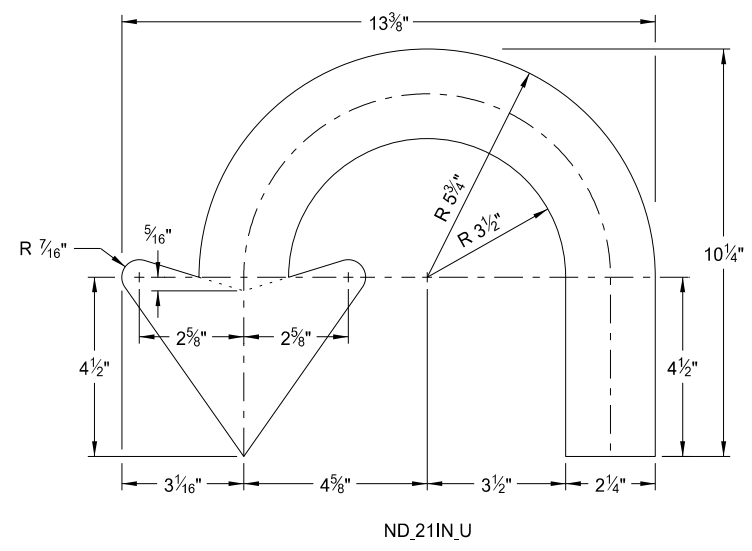
STATION(S):
Conventional Roadway Use
AREA: 2.2 Sq.Ft.



Dimensions are in inches,tenths
Letter locations are panel edge to lower left corner
PANEL STYLE: ND_Guide_24_Small_Blue_Ylw.ssi

SYMBOL	X	Y	WID	HT	ANGLE
ND_21IN_U	3.3	2.2	13.4	10.2	0

LETTER POSITION (X)		LENGTH	SIZE	SERIES

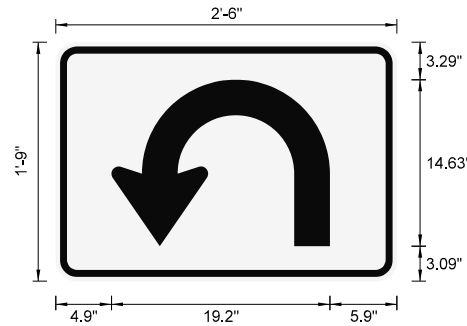


Sign Details
Project Description
Project Location

This document is preliminary and not for construction or implementation purposes.

SIGN NUMBER	SN X
WIDTH X HEIGHT	2'-6" x 1'-9"
BORDER WIDTH	0.63" (inset 0.38")
CORNER RADIUS	1.5"
MOUNTING	Ground
BACKGROUND	TYPE: IV Reflective COLOR: White
LEGEND/BORDER	TYPE: IV Non-reflective COLOR: Black

STATION(S): Expressway Roadway Use
 AREA: 4.4 Sq.Ft.



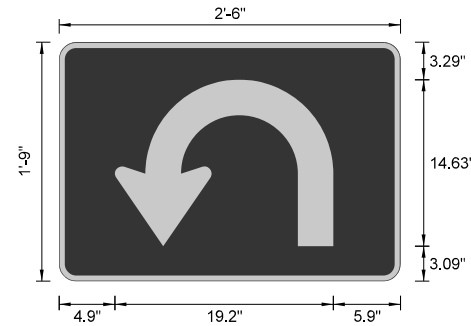
Dimensions are in inches,tenths Letter locations are panel edge to lower left corner
 PANEL STYLE: ND_Guide_24_Small_White.ssi

SYMBOL	X	Y	WID	HT	ANGLE
ND_30IN_U	4.9	3.1	19.2	14.6	0

LETTER POSITION (X)	LENGTH	SIZE	SERIES

SIGN NUMBER	SN X
WIDTH X HEIGHT	2'-6" x 1'-9"
BORDER WIDTH	0.5" (inset 0")
CORNER RADIUS	1.5"
MOUNTING	Ground
BACKGROUND	TYPE: IV Reflective COLOR: Blue
LEGEND/BORDER	TYPE: IV Reflective COLOR: Yellow

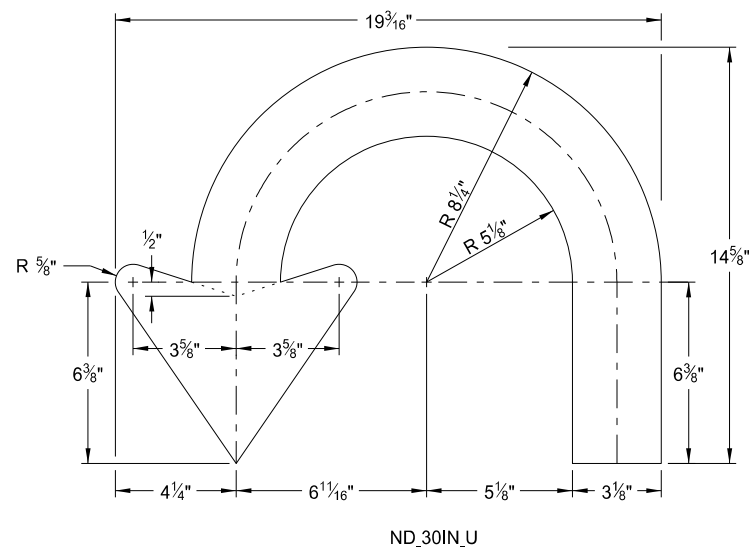
STATION(S): Expressway Roadway Use
 AREA: 4.4 Sq.Ft.



Dimensions are in inches,tenths Letter locations are panel edge to lower left corner
 PANEL STYLE: ND_Guide_24_Small_Blue_Ylw.ssi

SYMBOL	X	Y	WID	HT	ANGLE
ND_30IN_U	4.9	3.1	19.2	14.6	0

LETTER POSITION (X)	LENGTH	SIZE	SERIES



Sign Details	This document is preliminary and not for construction or implementation purposes.
Project Description	
Project Location	