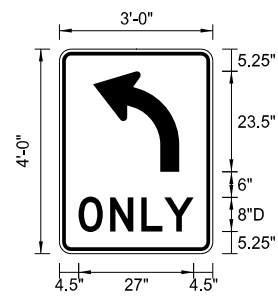


SIGN NUMBER	R3-5L-36
WIDTH x HEIGHT	3'-0" x 4'-0"
BORDER WIDTH	0.88" (inset 0.63")
CORNER RADIUS	2.25"
MOUNTING	Mast Arm Mounted
BACKGROUND	TYPE: XI Reflective COLOR: White
LEGEND/BORDER	TYPE: Non-reflective COLOR: Black

STATION(S): X+XX Rt / Lt
AREA: 12.0 Sq.Ft.



Dimensions are in inches.tenths
Letter locations are panel edge to lower left corner

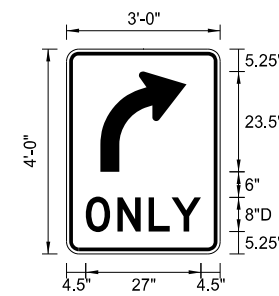
SYMBOL	X	Y	WID	HT	ANGLE
ARONLY_LT	7.9	19.3	20.2	23.5	0

PANEL STYLE: ND_Misc_Regulatory.ssi

LETTER POSITION (X)					LENGTH	SIZE	SERIES
O	N	L	Y		27	8	D 2000
4.5	11.9	19.2	24.6				

SIGN NUMBER	R3-5R-36
WIDTH x HEIGHT	3'-0" x 4'-0"
BORDER WIDTH	0.88" (inset 0.63")
CORNER RADIUS	2.25"
MOUNTING	Mast Arm Mounted
BACKGROUND	TYPE: XI Reflective COLOR: White
LEGEND/BORDER	TYPE: Non-reflective COLOR: Black

STATION(S): X+XX Rt / Lt
AREA: 12.0 Sq.Ft.

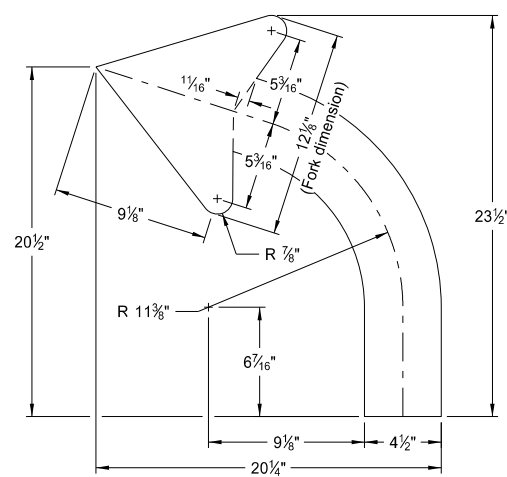


Dimensions are in inches.tenths
Letter locations are panel edge to lower left corner

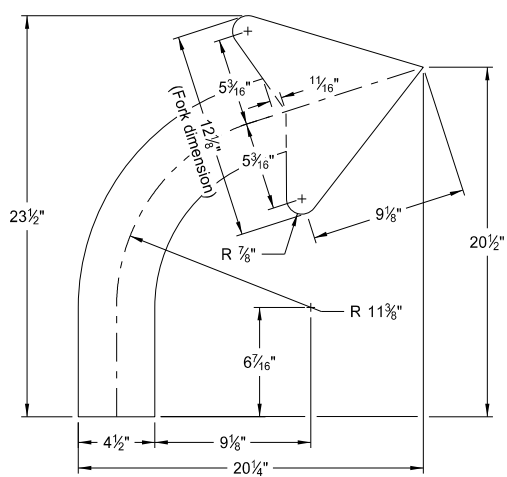
SYMBOL	X	Y	WID	HT	ANGLE
ARONLY_RT	7.9	19.3	20.2	23.5	180

PANEL STYLE: ND_Misc_Regulatory.ssi

LETTER POSITION (X)					LENGTH	SIZE	SERIES
O	N	L	Y		27	8	D 2000
4.5	11.9	19.2	24.6				



ARONLY_LT DETAIL



ARONLY_RT DETAIL

This document is preliminary and not for construction or implementation purposes.

Sign Details