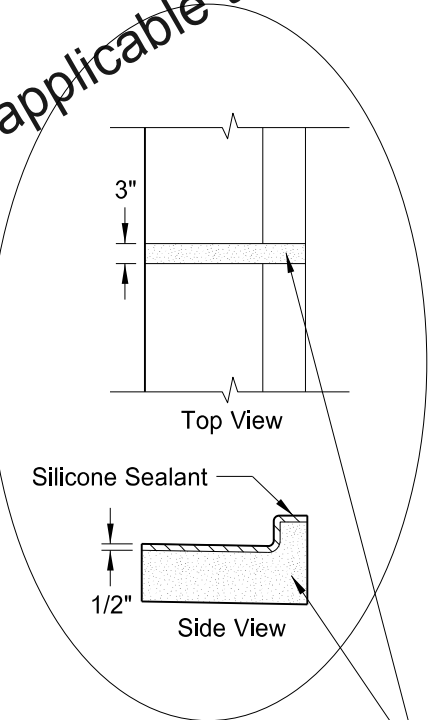


Notes to Designer:

1. Include plan note 550-P## "3IN Expansion Joint" in the Sec 6 Note Sheets.
2. Include plan note 550-P## "Concrete Sleeper Slab" in the Sec 6 Note Sheets.
3. Use this detail in conjunction with Sec 20 Detail for "3 Inch Expansion Joint Detail".
4. Use this detail in conjunction with Sec 20 Detail for "Concrete Pavement to Bridge Approach Panel Transition Detail".
5. Remove the Roadway w/Concrete Shoulder, HMA Shoulder or Curb & Gutter details that may not be applicable to the project.



Cut 3" polystyrene to fit the complete curb & gutter section. Seal with 1/2" of silicone sealant.

This document is preliminary and not for construction or implementation purposes.

3 Inch Expansion Joint Shoulder Alternatives