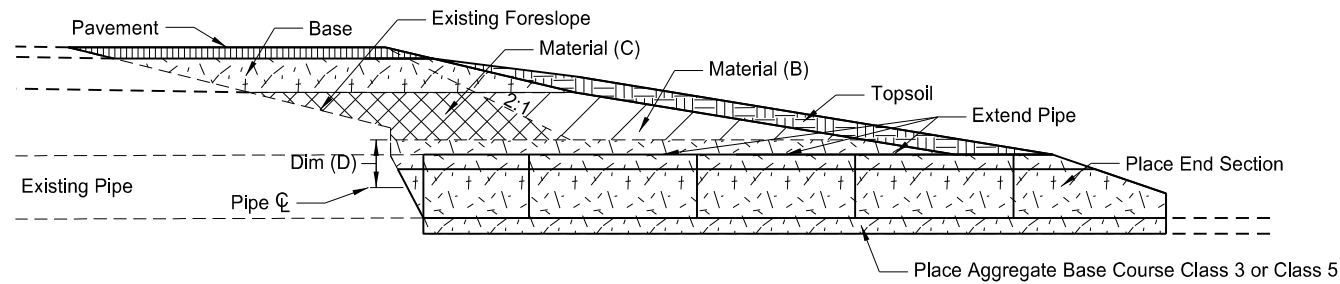
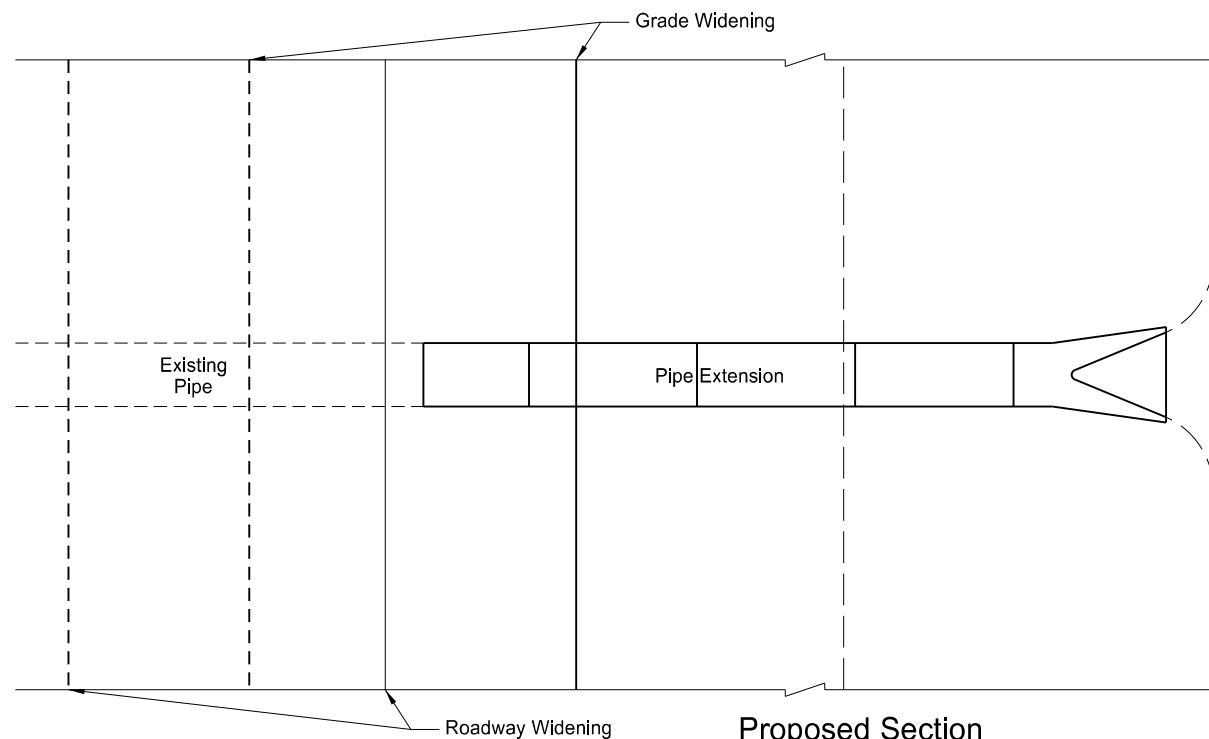


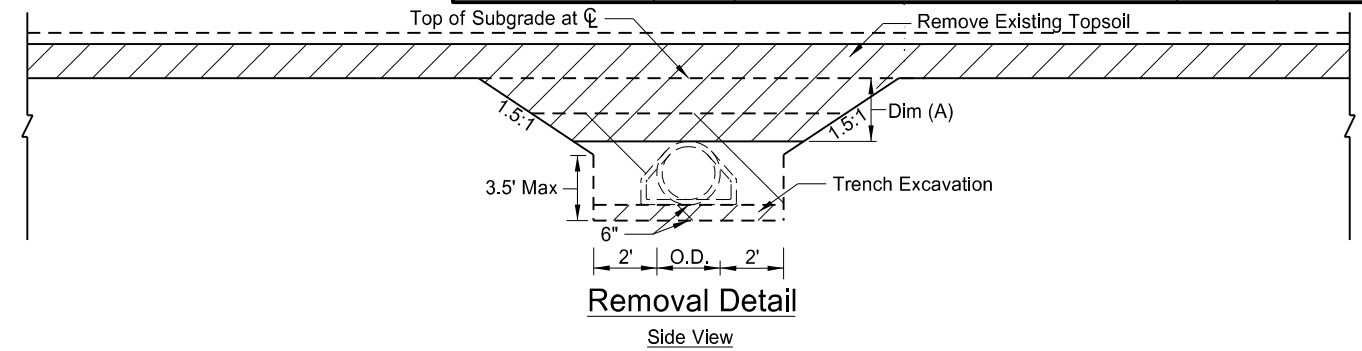
Removal Section
Cross Section View



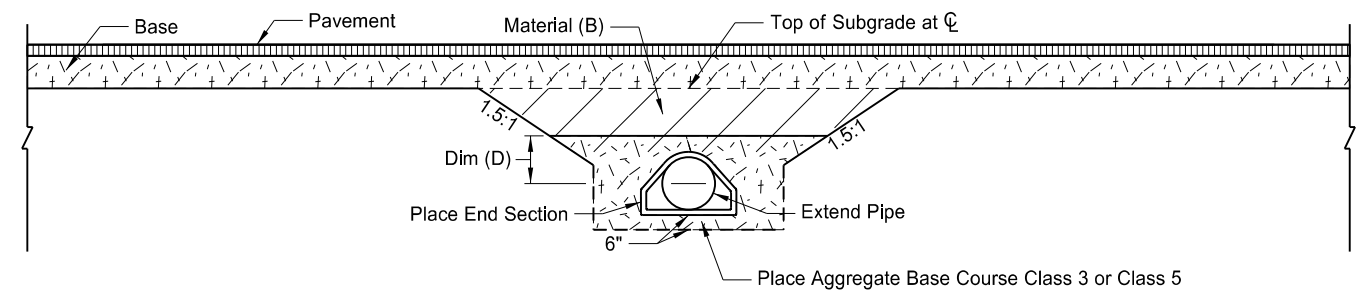
Proposed Section
Cross Section View



Proposed Section
Plan View



Removal Detail
Side View



Backfill Detail
Side View (Topsoil not shown)

Pay Items

- 1) Pipe*
- 2) Remove & Relay Pipe - All Types & Sizes (when required)
- 3) Remove & Reset End Section or Remove End Section and Place New End Section
- 4) Borrow Excavation or Common Excavation
- 5) Topsoil
- 6) Seeding
- 7) Mulching

***Included in Pipe Pay Item**

- 1) Pipe
- 2) Trench excavation
- 3) Aggregate Base Course Class 3 or Class 5

Pipe Materials	Dim (A) ≤ 4 Feet		Backfill Dimension
	Material (B)	Material (C)	Dim (D)
Concrete	Embank or Aggr	Aggregate	0.5 O.D.
Metal	Embank or Aggr	Aggregate	0.5 O.D.+1 Foot

Pipe Materials	Dim (A) > 4 Feet		Backfill Dimension
	Material (B)	Material (C)	Dim (D)
Concrete	Embankment	Embankment	0.5 O.D.
Metal	Embankment	Embankment	0.5 O.D.+1 Foot

NOTES:

1. Embankment may be either Borrow Excavation or Common Excavation
2. Aggregate may be either Class 3 or Class 5 Aggregate Base Course.

This document
is preliminary
and not for
construction or
implementation
purposes.

Mainline Widening CL Pipe Extension Detail

Project Description

Project Location