

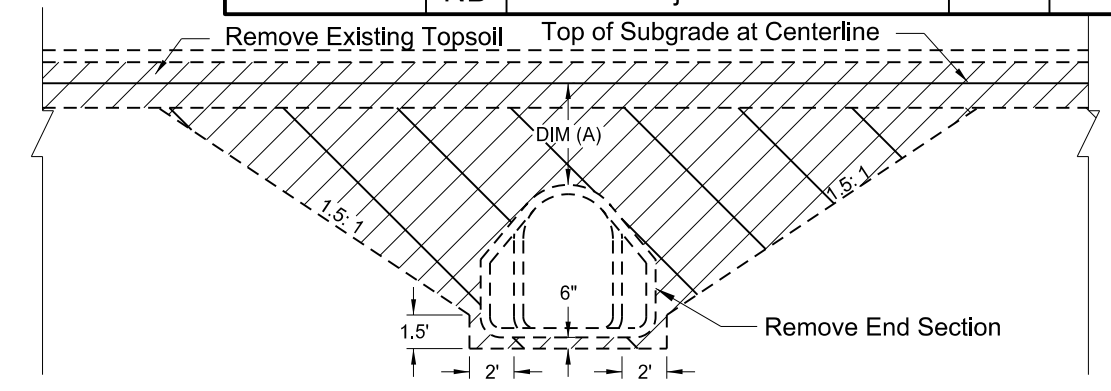
REMOVAL SECTION
Cross Section View

Pay Items

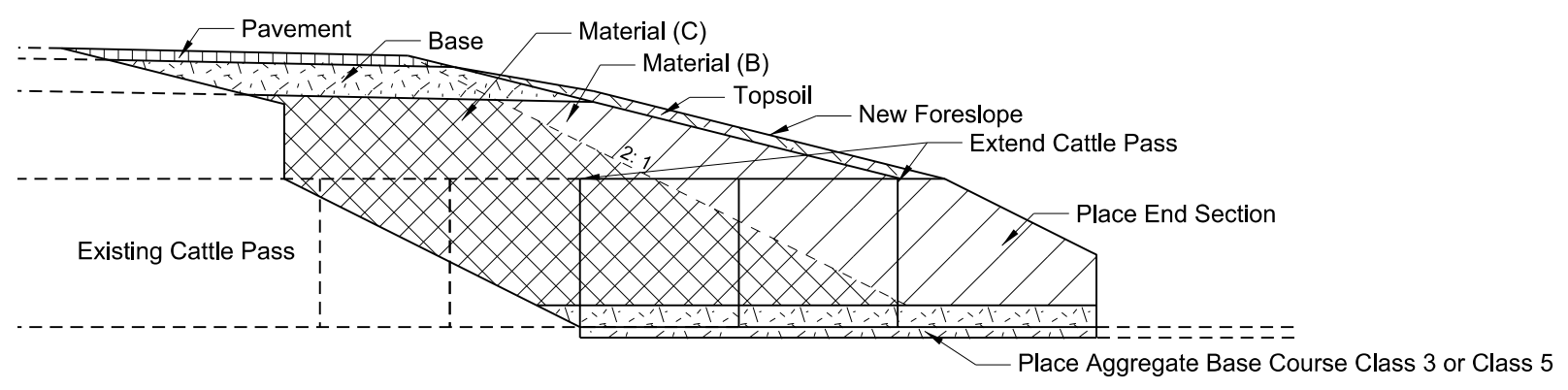
- 1) Cattle Pass Conc Intermed Section*
- 2) Remove and Relay Conc Cattle Pass (If Required)
- 3) Remove and Relay End Section or Remove End Section and Place New End Section
- 4) Borrow Excavation or Common Excavation
- 5) Topsoil
- 6) Seeding
- 7) Mulching

***Included in Cattle Pass Pay Item**

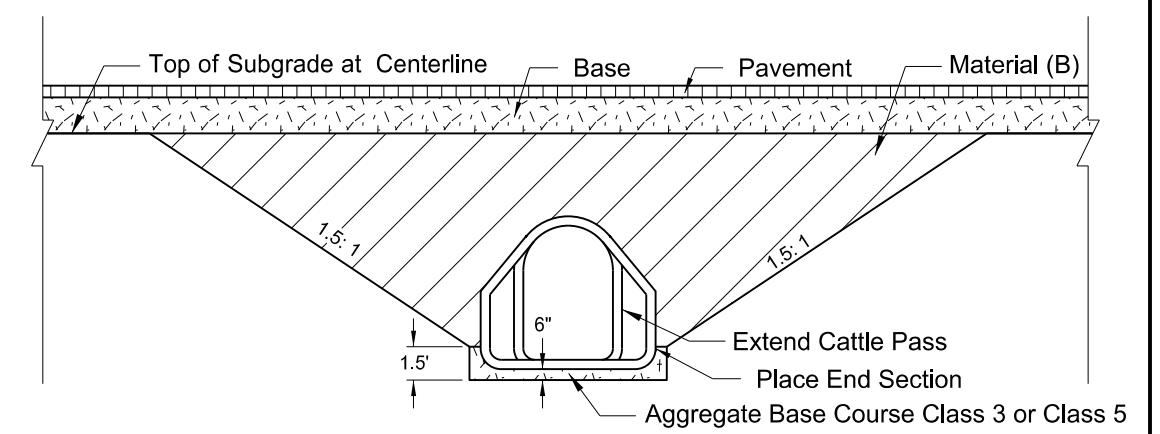
- 1) Cattle Pass
- 2) Trench excavation
- 3) Aggregate Base Course Class 3 or Class 5



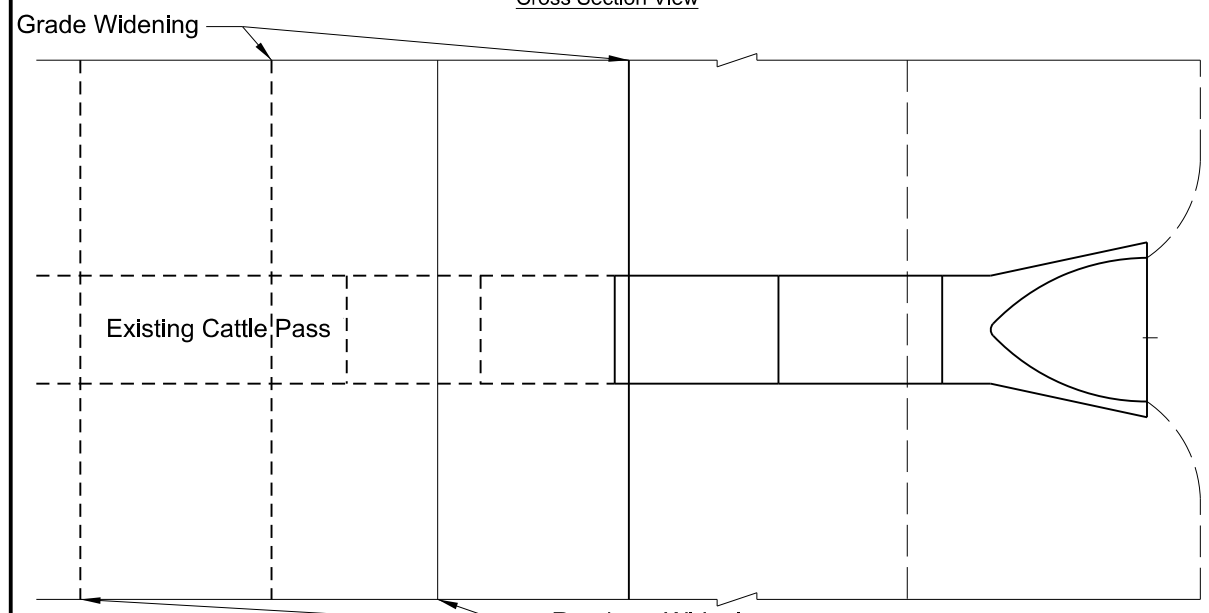
REMOVAL DETAIL
Side View



PROPOSED SECTION
Cross Section View



BACKFILL DETAIL
Side View (Topsoil Not Shown)



PROPOSED SECTION
Plan View

NOTES:

- 1) Embankment may be either Borrow Excavation or Common Excavation
- 2) Aggregate may be either Class 3 or Class 5 Aggregate Base Course.

Concrete Cattle Pass		
Dim (A)	Material (B)	Material (C)
< = 4 Feet	Embankment or Aggregate	Aggregate
> 4 Feet	Embankment	Embankment

This document
is preliminary
and not for
construction or
implementation
purposes.

Mainline Widening CL Cattle or Stock Pass Ext Detail

Project Description

Project Location