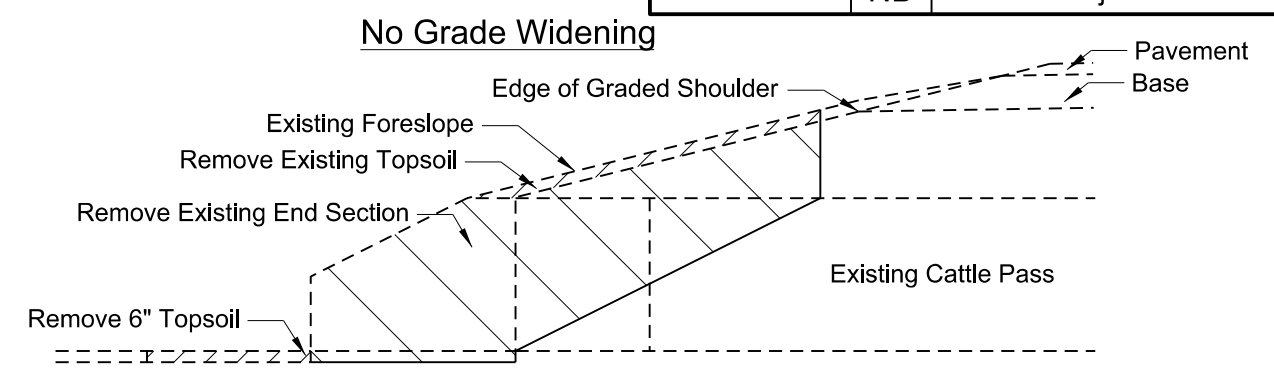


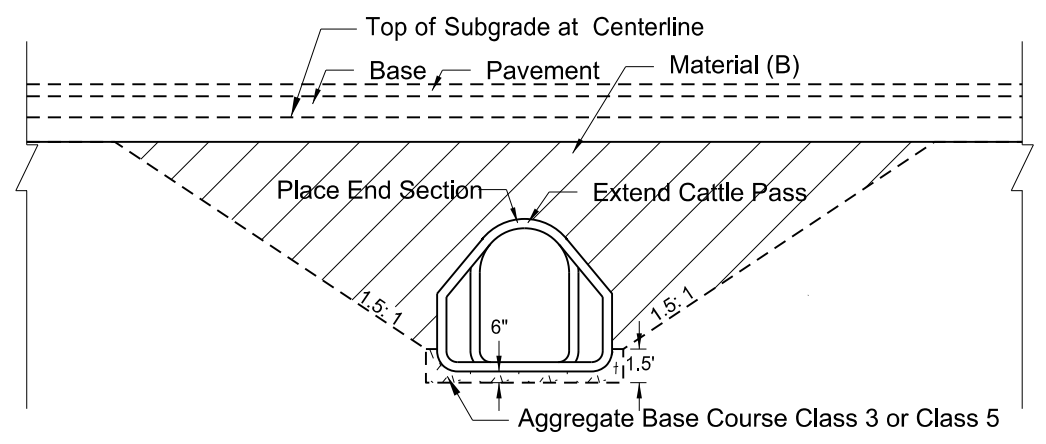
REMOVAL DETAIL
Side View



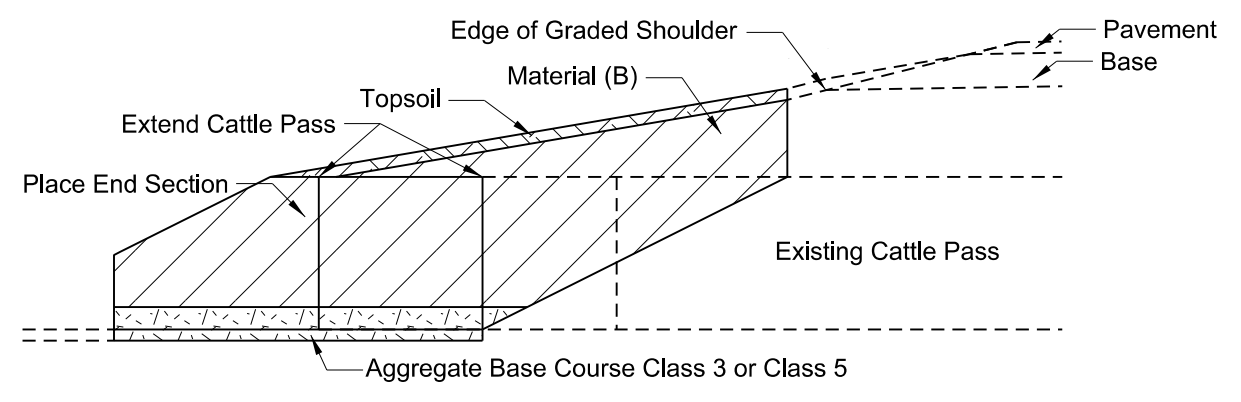
REMOVAL SECTION
Cross Section View

- Pay Items**
- 1) Cattle Pass Conc Intermed Section*
 - 2) Remove and Relay End Section or Remove End Section and Place New End Section

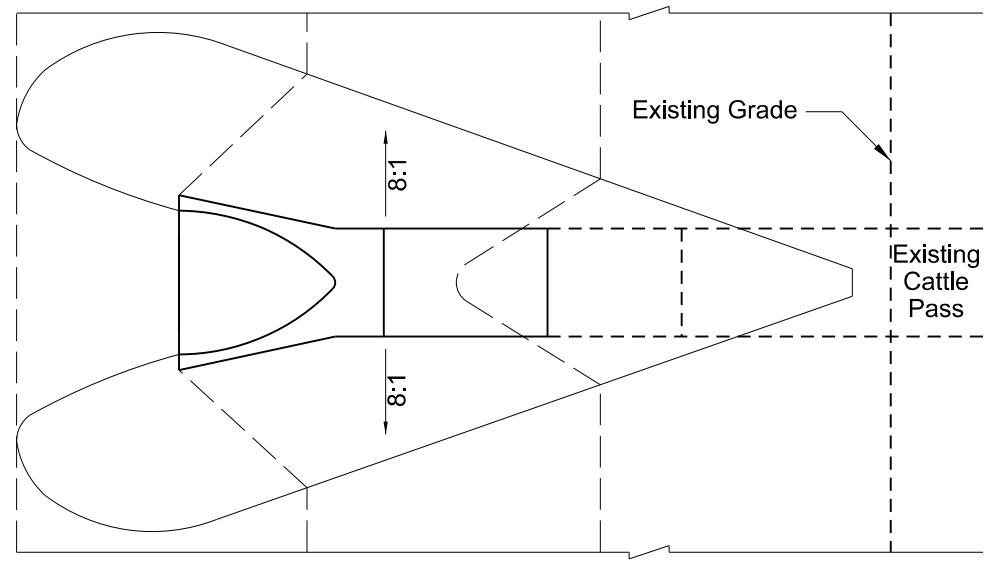
- *Included in Cattle Pass Pay Item**
- 1) Cattle Pass
 - 2) Trench excavation
 - 3) Aggregate Base Course Class 3 or Class 5
 - 4) Embankment
 - 5) Topsoil
 - 6) Seeding
 - 7) Mulch



BACKFILL DETAIL
Side View (Topsoil Not Shown)



PROPOSED SECTION
Cross Section View



PROPOSED SECTION
Plan View

Concrete Cattle Pass	
Dim (A)	Material (B)
<= 4 Feet	Embankment or Aggregate
> 4 Feet	Embankment

This document
is preliminary
and not for
construction or
implementation
purposes.

Mainline CL Cattle or Stock Pass Extension Detail

Project Description

Project Location