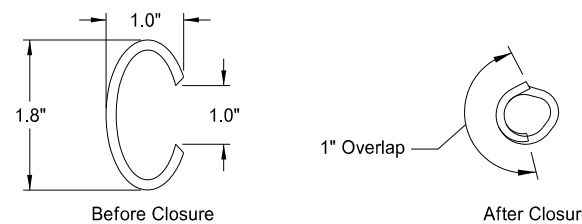
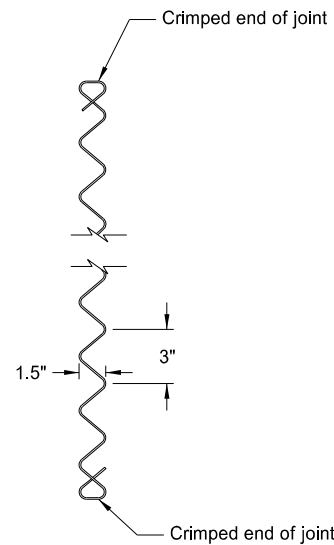


Interlocking Wire Fastener

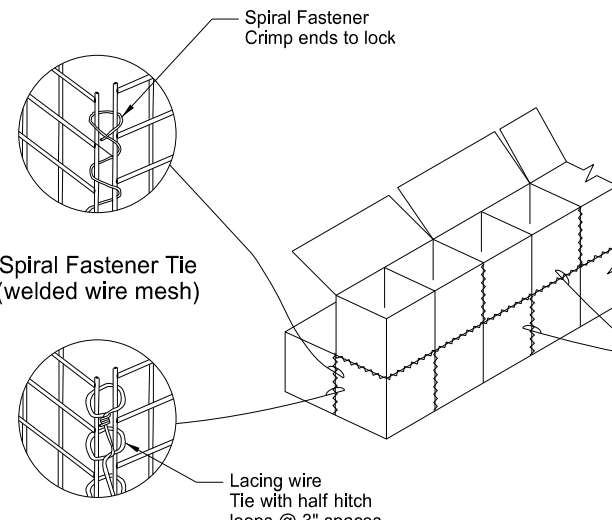


Overlapping Ring Wire Fastener

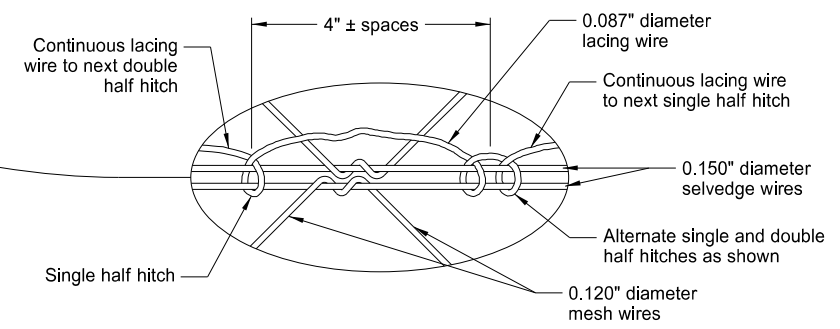
Alternate Tying Fasteners



0.150" Diameter Spiral Fastener

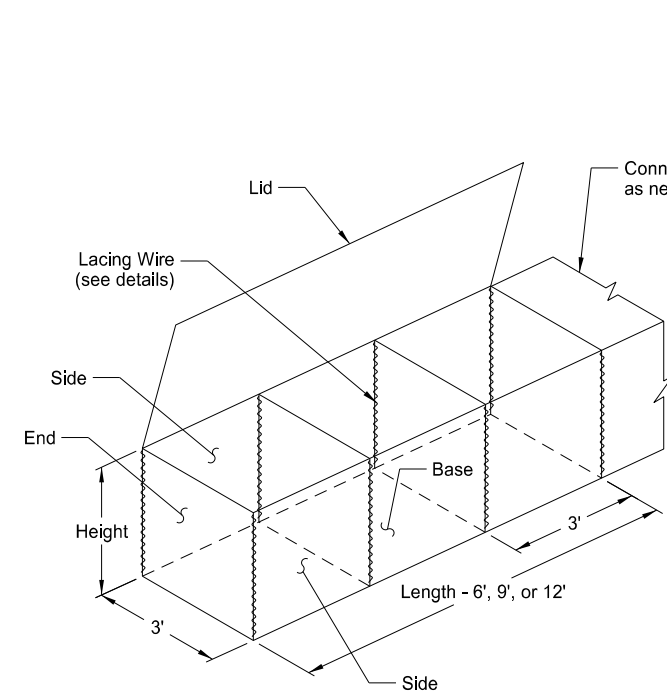


Half Hitch Lacing Detail (welded wire mesh)

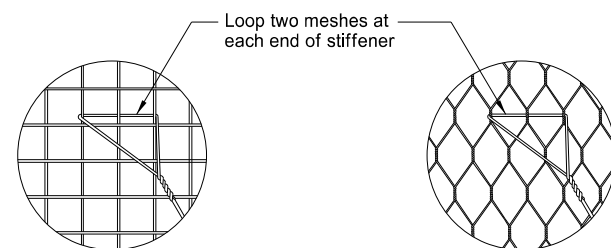


Half Hitch Lacing Detail (twisted wire mesh)

Typical Gabion Basket Installation

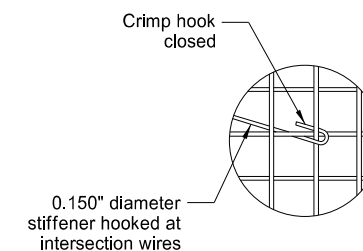


Typical Assembled Gabion Basket

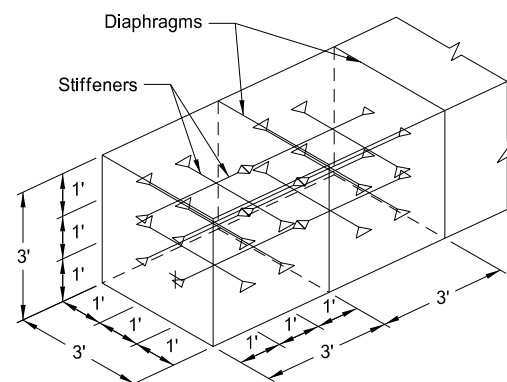


Welded Wire Mesh

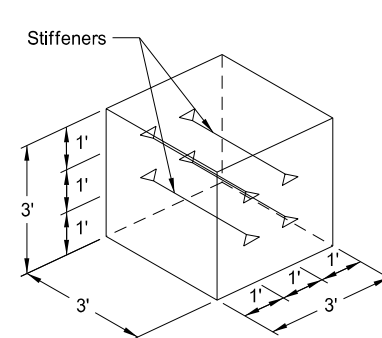
Twisted Wire Mesh



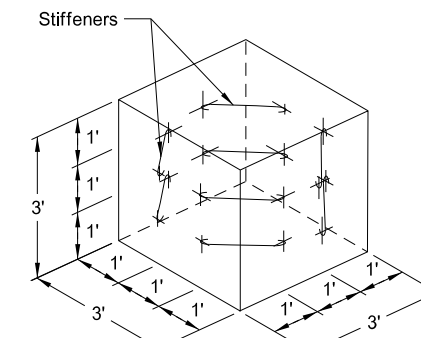
0.150" diameter stiffener hooked at intersection wires



End Gabion Cells



Interior Gabion Cells



All Gabion Cells  
Optional Gabion Stiffeners (welded wire baskets)

Typical Gabion Stiffeners

Length (ft)	Height (ft)	Diaphragm Partitions	Capacity (CY)
6	3	1	2.00
9	3	2	3.00
12	3	3	4.00
6	1.5	1	1.00
9	1.5	2	1.50
12	1.5	3	2.00
6	1	1	0.67
9	1	2	1.00
12	1	3	1.33

This document is preliminary and not for construction or implementation purposes.

Gabion Basket Details
Project Description
Project Location